

# THE UNITED REPUBLIC OF TANZANIA



## MINISTRY OF WATER



### **Dar es Salaam Water and Sanitation Authority**

DAWASA Building, Dunga/Malaga Street, Mwananyamala Area

P. O. Box 1573, Dar es Salaam. TANZANIA.

Tel. +25522276006/15; Fax: +255222762480; E-mail: [dawasaceo@dawasa.co.tz](mailto:dawasaceo@dawasa.co.tz)

## **Comprehensive Project Brief for the Proposed Public Toilet to be Built at Kigamboni Mtaa, Kigamboni ward, Kigamboni District, Dar es Salaam Region**

### **Submitted to:**

National Environment Management Council

Head Office, Kambarage Tower, 6<sup>th</sup> Floor, P. O. Box 2724, Dodoma.

Tel: +255 22 2774852/ 0713608930; Fax: +255 22 2774901 E-mail:

[nemcdg@nemc.or.tz](mailto:nemcdg@nemc.or.tz)

Website [www.nemc.or.tz](http://www.nemc.or.tz)

### **Lead Consultant:**

**Prof. Rubhera RAM Mato (PhD), CEng. (T), Reg. EIA Expert**

P. O BOX 35478, Dar es Salaam, Tanzania





Mobile: +255754898592; E-Mail: [rubheramato@gmail.com](mailto:rubheramato@gmail.com)

**Submission date: March 2023**

## **ACKNOWLEDGEMENT**

The Proponent (DAWASA) wishes to convey a heartfelt thanks and appreciation to all stakeholders who in one way or another supported the completion of this work. Thanks very much all of you. Special thanks to the Kigamboni Municipal Council Officers for their prompt assistance during the fieldwork. Last but not least we thank the local community and wards leaderships in the project vicinity for their cooperation. A sincere appreciation for all experts and assistants who participated in data collection and preparation of this report

**THE STUDY TEAM**

<b>NAME</b>	<b>POSITION</b>	<b>NEMC Reg. No.</b>	<b>SIGNATURE</b>
Prof. Rubhera RAM Mato	Environmental and ESIA Team Leader	Registered NEMC/EIA/0092	
Mr. Robert Kishiki	Sociologist	Not Registered	
Mr. Emmanuel Rajab	Environmental Engineer	Registered EC/EE- EIA/2021/0015	
Mr. Melkizedeck Stephano	Environmentalist	Not Registered	

## **ABBREVIATIONS**

AAQ	Ambient Air Quality
AIDS	Acquired Immuno-Deficiency Syndrome
DAWASA	Dar es Salaam Water Supply and Sanitation Authority
EIA	Environmental Impact Assessment
EMP	Environmental Management Plan
ESIA	Environmental and Social Impact Assessment
ESMP	Environmental and Social Monitoring Plan
GoT	Government of Tanzania
HIV	Human Infection Virus
IDA	International Development Association
LGA	Local Government Authority
NEMC	National Environment Management Council
NEP	National Environment Policy
OGSP	Off-Grid Sanitation Project
PPE	Personal Protective Equipment
PVC	Polyvinyl Chloride
RAP	Resettlement Action Plan
STDS	Sexual Transmitted Diseases

# TABLE OF CONTENTS

THE STUDY TEAM .....	II
ABBREVIATIONS.....	III
EXECUTIVE SUMMARY .....	VI
1.0 BACKGROUND AND JUSTIFICATION .....	1
1.2 NATURE OF THE PROJECT.....	2
2.0 PROJECT DESCRIPTION.....	3
2.1 PROJECT LOCATION .....	3
2.2 ACCESSIBILITY.....	5
2.3 SPECIFIC FEATURES.....	5
2.4 ADJACENT LAND USE .....	6
2.4.1 LAND OWNERSHIP .....	6
2.5 BASELINE INFORMATION .....	6
2.5.1 WATER SOURCES .....	6
2.5.2 AIR QUALITY AND NOISE LEVEL .....	7
2.5.3 VEGETATION .....	8
2.5.4 CLIMATE .....	8
3.0 POLICIES, LEGISLATION AND INSTITUTIONAL ASPECT .....	9
3.1 OVERVIEW .....	9
3.2 RELEVANT POLICIES .....	9
<b>3.2.1 National Environment Policy 2021</b> .....	9
<b>3.2.2 National Land Policy of 1997</b> .....	10
<b>3.2.3 Construction Industry Policy (2003)</b> .....	11
<b>3.2.4 National Health Policy (2003)</b> .....	11
<b>3.2.5 National Gender Policy of 2000</b> .....	11
<b>3.2.6 National Human Settlements Development Policy (2000)</b> .....	12
3.3 PRINCIPAL LEGISLATIONS AND REGULATIONS .....	12
<b>3.3.1 Environmental Management Act (2004)</b> .....	12
<b>3.3.2 The Environmental Management (Fees and Charges) Regulations, 2021</b> .....	13
<b>3.3.3 The Environmental Management (Control of hazardous Waste) Regulations, 2021</b> .....	14
<b>3.3.4 The Environmental Management (Control of Noise and vibration) Regulations, 2015</b> .....	14
<b>3.3.5 The Environmental Management (Prohibition of Plastic Carrier bags) regulations, 2019</b> .....	14
<b>3.3.6 The Environmental Management (Solid Waste Management) Regulations, 2007</b> .....	15
<b>3.3.7 The Environmental Management (Water Quality) regulations, 2009</b> .....	15
<b>3.3.8 The Environmental Management (Air Quality) regulations, 2009</b> .....	16
<b>3.3.9 The Environmental Management (Soil Quality) regulations, 2009</b> .....	16
<b>3.3.10 Occupational Health and Safety Act 2003</b> .....	17
<b>3.3.11 Water Supply and Sanitation Act No. 12 of 2009</b> .....	17
<b>3.3.12 Engineers Registration Act and its Amendments 1997 and 2007</b> .....	18
<b>3.3.13 Contractors Registration (Amendment) Act, 2008</b> .....	18
<b>3.3.14 Architects and Quantity Surveyors Act (1997)</b> .....	18
<b>3.3.15 Urban Planning Act Cap. 355 (2007)</b> .....	18
3.3.16 THE URBAN PLANNING (PLANNING SPACE STANDARDS) REGULATIONS, 2018 .....	19
3.3.17 URBAN PLANNING (USE GROUPS AND USE CLASSES) REGULATIONS, 2018 .....	19
3.3.18 THE URBAN PLANNING (ZONING OF LAND USE) REGULATIONS, 2018 .....	19

<b>3.3.19 Public Health Act (2009)</b> .....	20
3.3.20    WORLD BANK GUIDELINES FOR ENVIRONMENTAL MANAGEMENT .....	21
<b>4.0 PROJECT ACTIVITIES</b> .....	<b>22</b>
4.1    MOBILIZATION OR PRE-CONSTRUCTION PHASE .....	22
4.2    CONSTRUCTION PHASE .....	22
4.3    DEMobilIZATION PHASE .....	23
4.4    OPERATION PHASE .....	23
4.5    DECOMMISSIONING PHASE .....	24
<b>5.0 PROJECT DESIGN</b> .....	<b>24</b>
5.1    TOILET DESIGN .....	24
5.1.1    DESIGN APPROACH .....	25
5.2    LAYOUT PLAN.....	25
<b>6.0 PROJECT REQUIREMENTS AND WASTE GENERATION</b> .....	<b>27</b>
6.1    PROJECT REQUIREMENTS .....	27
6.1.1 <i>Construction materials and labour force</i> .....	27
6.1.2 <i>Labour force</i> .....	28
6.1.3 <i>Machinery and Equipment</i> .....	28
6.2    WASTES GENERATION .....	28
6.2.1    LIQUID WASTE MANAGEMENT .....	29
6.2.2    SOLID WASTE MANAGEMENT .....	29
<b>7.0 POTENTIAL IMPACTS</b> .....	<b>31</b>
7.1    MOBILIZATION PHASE .....	31
7.1.1    POSITIVE IMPACTS .....	31
7.1.1.1 <i>Employment opportunities</i> .....	31
7.1.2    NEGATIVE IMPACTS .....	31
7.1.2.1 <i>Noise pollution</i> .....	31
7.1.2.2 <i>Air Pollution from dust emission</i> .....	31
7.2    CONSTRUCTION PHASE .....	32
7.2.1    POSITIVE IMPACTS.....	32
7.2.1.1 <i>Employment opportunities</i> .....	32
7.2.1.2 <i>Improved public health</i> .....	32
7.2.1.3 <i>Increased socio-cultural interaction</i> .....	33
7.2.1.4 <i>Increased Revenue to the nation through taxes, both direct and indirect</i> .....	33
7.2.2    NEGATIVE IMPACTS .....	33
7.2.2.1 <i>Increased HIV/AIDS and other sexual related diseases:</i> .....	33
7.2.2.2 <i>Destruction and infringement of properties</i> .....	34
7.2.2.3 <i>Noise pollution</i> .....	34
7.2.2.4 <i>Air Pollution from dust emission</i> .....	35
7.2.2.5 <i>Potential communicable diseases transmission</i> .....	35
7.2.2.6 <i>Risk of flooding</i> .....	36
7.2.2.7 <i>High Risk of Health associated with construction work</i> .....	36
7.3    OPERATION PHASE.....	38
7.3.1    POSITIVE IMPACTS.....	38
7.3.1.1 <i>Improved social-economic livelihood and dignity within the beneficiary society</i> .....	38
7.3.1.2 <i>Increased Revenue to the nation through taxes, both direct and indirect</i> .....	38
7.3.2    NEGATIVE IMPACTS .....	38
7.3.2.1 <i>Smells and flies in toilets</i> .....	38
7.3.2.2 <i>High Risk of Health associated with operational work</i> .....	39

**7.4 ACTION PLAN FOR PREVENTION AND MANAGEMENT OF ACCIDENTS DURING IMPLEMENTATION**

**STAGE ..... 40**

    7.4.1 HEALTH AND SAFETY ..... 40

    7.4.2 SECURITY ..... 40

    7.4.3 MONITORING, MAINTENANCE AND REPAIR ..... 41

**8.0 ENVIRONMENTAL AND SOCIAL MANAGEMENT PLAN ..... 41**

    8.1 ENVIRONMENTAL AND SOCIAL MANAGEMENT PLAN ..... 41

**9.0 MONITORING PLAN ..... 50**

    9.1 ENVIRONMENTAL MONITORING ..... 50

**10.0 PROJECT BUDGET ..... 57**

**11.0 STAKEHOLDER VIEWS ON THE PROPOSED PROJECT ..... 57**

**REFERENCES ..... 60**

**APPENDIX I: LIST OF STAKEHOLDERS CONSULTED ..... 61**

**APPENDIX II. MINUTES OF STAKEHOLDERS’ CONSULTATION MEETINGS ..... 64**

**APPENDIX III. SCREENING LETTER FROM NEMC ..... 69**

**APPENDIX IV. LAND USE PERMIT ..... 71**

**APPENDIX V: MEMORANDUM OF UNDERSTANDING BETWEEN DAWASA AND DAR ES SALAAM MUNICIPAL COUNCILS ..... 73**

**APPENDIX V: ARCHITECTURAL DRAWINGS ..... 74**

**APPENDIX VI: TANZANIA WASTE WATER QUALITY STANDARDS ..... 75**

**APPENDIX VII: NON-TECHNICAL REPORTS ..... 76**

**LIST OF FIGURES**

Figure 1: A Map of Dar es salaam region showing the project Municipal.....4

Figure 2: An Extract Google view to show the Location of the project area .....5

Figure 3: Some of the natural and artificial vegetation species at site .....6

Figure 4: The Business activities around the project site .....6

Figure 5: Floor Plan for Public Toilet.....26

**LIST OF TABLES**

Table 1: The coordinates of the project area .....3

Table 2: The Proposed Standard Public Toilet working spaces with their  
respective areas.....25

Table 3: Quantities of construction Materials .....27

Table 4: Management of construction and operation wastes .....29

Table 5: Environmental and Social Management Plan for the Proposed  
Construction of Public Toilet at Kigamboni WEO office Plot, Kigamboni ward,  
Kigamboni Municipal.....43

Table 6: Monitoring Plan for the Proposed Construction of Public Toilet at  
Kigamboni WEO office Plot, Kigamboni ward, Kigamboni Municipal .....51

Table 7: Stakeholders issues and concerns .....58

## EXECUTIVE SUMMARY

### Comprehensive Project Brief for the Proposed Public Toilet to be Built at Kigamboni Mtaa, Kigamboni ward, Kigamboni District, Dar es Salaam Region

**Proponent:** Dar es Salaam Water Supply and Sanitation Authority

**Proponent's Contact:** DAWASA,  
DAWASA Building, Dunga/Malaga Street,  
Mwananyamala Area  
P. O. Box 1573, Dar es Salaam. TANZANIA.  
Tel. +25522276006/15; Fax: +255222762480;  
E-mail : [dawasaceo@dawasa.co.tz](mailto:dawasaceo@dawasa.co.tz)

**EIA Expert:** Prof. Rubhera RAM Mato (PhD), CEng. (T), Reg. EIA Expert  
P. O BOX 35478, Dar es Salaam, Tanzania  
Mobile: +255754898592  
E-Mail: [rubheramato@gmail.com](mailto:rubheramato@gmail.com)

## INTRODUCTION

The Government of the United Republic of Tanzania (GoT) through the Dar es Salaam Water and Sewerage Authority (DAWASA) under the Ministry of Water intends to implement an Off Grid Sanitation Project (OGSP) in Dar es Salaam City to serve peri-urban areas not connected to the central sewerage system. DAWASA has received financing from the International Development Association (IDA) in the form of a credit to implement the project. Prior to implementing the project, the law in Tanzania requires an Environmental Impact Assessment to be conducted and approved by relevant authority. In order to comply with the law in Tanzania, the DAWASA intends to apply a portion of the proceeds of the credit to eligible payments for consulting services for Preparation of Environmental and Social Impact Assessment (ESIA) and Resettlement Action Plan (RAP) Report for construction of off grid sanitation projects.

The Off-Grid project is intended to address these challenges. The Off-Grid project is divided into several subprojects which will be implemented in the five municipalities of Dar es Salaam City. One of these is the Construction of a Public Toilet at Kigamboni Mtaa, Kigamboni Municipality. The toilet will mostly serve the people who are using market for business (Traders and their customers), food vendors (Mamantilie) and passersby.

The proposed project concerns construction of an engineered sanitary depository for sewage (night soil) for public use at Kigamboni Mtaa, Kigamboni ward, Kigamboni Municipality. The nature of the project enhances environmental protection through proper handling and disposal of domestic sewage. According to First Schedule of the EIA and Audit Regulations (Amended) of 2018, the nature of the project is small and entails no significant impacts. The project can be categorised as Type B2, which according to the regulations are “small-scale activities and enterprises that require registration but shall not require Environmental Impact Assessment. Further, the projects shall not require screening and scoping, rather, the Project Brief shall be examined and issued with an Environmental Impact Assessment Certificate”.

## **POLICY, LEGAL AND INSTITUTIONAL FRAMEWORK**

Tanzania is committed to attaining sustainable development goals. This urge is envisaged in the National Environmental Policy and other sectoral policies including;

- National Environment Policy, 2021
- National Land Policy of 1997
- Construction Industry Policy (2003)
- National Health Policy (2003)
- National Gender Policy of 2000
- National Human Settlements Development Policy (2000)

Important laws and regulations that have relevance to road development in respect of environmental management include;

- Environmental Management Act (2004)
- The Environmental Management (Fees and Charges) Regulations, 2021
- The Environmental Management (Control of hazardous Waste) regulations, 2021
- The Environmental Management (Control of Noise and vibration) regulations, 2015
- The Environmental Management (Prohibition of Plastic Carrier bags) regulations, 2019
- The Environmental Management (Solid Waste Management) regulations, 2007
- The Environmental Management (Water Quality) regulations, 2009
- The Environmental Management (Air Quality) regulations, 2009
- The Environmental Management (Soil Quality) regulations, 2009
- Occupational Health and Safety Act 2003
- The Water Supply and Sanitation Act No. 12 of 2009
- Engineers Registration Act and its Amendments 1997 and 2007
- The Contractors Registration (Amendment) Act, 2008
- The Architects and Quantity Surveyors Act (1997)
- The Urban Planning Act (2007)
- Public Health Act (2009)
- World Bank guidelines for Environmental Management

## **PROJECT DESCRIPTION**

The main land use at the proposed project site includes; commuter bus parking, small business activities taking the advantage of the influx of people disembarking commuter buses.

The major construction activities for the sub-projects include;

- **Site Clearance:** The contractor shall clear the construction areas within the site of all boulders, natural obstructions, rubbish and any other natural or artificial obstructions, which would interfere with construction of buildings, roads, paths and drains.
- **Excavation:** Excavations for foundations and the reinforced concrete structure shall be to the widths, depth and levels to accommodate the structure shown on the drawings. Working space has been allowed for in the measurement of excavation quantities given in these Bills of Quantities in accordance with the rules of measurement laid down elsewhere in these Bills, namely 1.00 metre from the face of any work which requires formwork over 1m deep below the starting level of excavation, and 0.30 metre from face of any work which requires formwork not exceeding 1-metre-deep below starting level of excavation.
- **Filling:** The fill shall be clean, selected coarse sand or gravel. It should be taken from borrow pits if the soil on the site is found to contain too much fines and to have too low plasticity limit to be used as fill.
- **Soil Sterilization:** Anti-termite treatment is to be carried out by an approved specialist firm who will be required, upon completion of the soil sterilization, to furnish a written qualifying guarantee which includes; the chemicals applied comply with the requirements and concentration, the treatment will remain effective against termite infestation for a period of five years as well as free re-treatment by the firm of any areas showing signs of infestation before the expiry of the five-year period.
- **Disposal of surplus excavated material:** Surplus excavated material will be carted away from the vicinity of the walls and deposited, spread and levelled on areas to be allocated by the Structural Engineer, reasonably adjacent to the site.
- **Concrete work:**
- **Steel fixing and Formwork preparation:**

## **PROJECT ENVIRONMENT**

### ***Project site***

The project site is located at approximately 20 meters away from Tangoma bus stand in Kigamboni Municipality within Dar es Salaam Region.

The site area lies in the tropical coastal bely of Tanzania and is influenced by two major climatic seasons, namely rainfall and temperature. Rainfall pattern is that of bimodal type with erratic conventional rains. The monsoon rains occurring almost throughout the Municipality between December and February, While the long heavy rains in the period from March to June, the amount of rainfall received ranges from 800-1200mm per annum. Temperature just like rainfall is also influenced by ocean. High temperature prevails throughout the year ranging from 25<sup>0</sup>C during the period of June to August up to 35<sup>0</sup>C in the period of January to March.

### ***Water sources***

Groundwater is abundant in almost the entire Dar es salaam City. This is because of the sea level rise. The major direct impacts of sea-level rise include inundation of low-lying areas, loss of coastal wetlands, increased rates of shoreline erosion, saltwater intrusion and increased salinity in estuaries and coastal aquifers, and higher water tables and higher extreme water levels leading to coastal flooding (Nicholls et al., 2007; Bicknell et al., 2009).

### ***Air quality and Noise level***

The air quality observations indicate that the general air quality in the project area is good as there is no any strange activity contributing to air pollution. However, seasonal variation as well as localized and temporal deterioration in air quality does occur.

On the other hand, noise level at the project area is mainly due to moving vehicle along the road, moving air (wind) or rain and birds. Project activities during construction will change patterns and amplitude of noise in the project area.

### ***Vegetation***

The proposed project site is characterized with no any vegetation at the vicinity of the project site.

### **PROJECT STAKEHOLDERS AND INVOLVEMENT**

A simple methodology was adopted to identify key stakeholders and main environmental and social concerns. This involved physical observations and consultations (direct consultations). Other information on the project was obtained through a desk study.

During the conduction of this study, different stakeholders were consulted. Among these include the Kigamboni Municipal Council and community at Kigamboni Mtaa. During the meeting, the consultant gave a brief explanation on the proposed public toilet.

### **POTENTIAL SIGNIFICANT ENVIRONMENTAL AND SOCIAL IMPACTS**

The impacts are categorized into Mobilization phase impacts, Construction phase impacts, and Operational phase impacts. The main receptors of impacts associated with the anticipated Construction of a Public Toilet at Kigamboni Mtaa, Kigamboni ward in Kigamboni Municipality include physical resources (groundwater quality, soils, air quality, and noise); ecological resources (vegetation); material assets, public health, and safety, aesthetics, and landscape. The following impacts were identified to be likely to occur during Mobilization Phase

- Employment opportunities
- Noise pollution
- Air Pollution from dust emission

The following impacts were identified to be likely to occur during Construction Phase

- Employment opportunities
- Improved living conditions and economic growth

- Improved public health
- Increased socio-cultural interaction
- Increased Revenue to the nation through taxes, both direct and indirect
- Increased HIV/AIDS and other sexual related diseases:
- Destruction and infringement of properties
- Noise pollution
- Air Pollution from dust emission
- Potential communicable diseases transmission
- Smells and flies in toilets
- High Risk of Health associated with construction work
- Waste generation during construction
- Groundwater contamination from soil sterilization

The following impacts were identified to be likely to occur during Operation Phase

- Improved social-economic livelihood and dignity within the beneficiary society
- Increased Revenue to the nation through taxes, both direct and indirect
- Smells and flies in toilets

### **PREVENTION AND MANAGEMENT OF ACCIDENTS DURING IMPLEMENTATION STAGE**

The project shall be implemented in compliance to labour laws in Tanzania, in particular, the Occupational Health and Safety Act (2003). Clauses to protect the health and safety of workers shall be included in the contract documents for implementation stage which includes the following; provision and enforcement of the use of appropriate personal protective equipment for all workers e.g. overalls, gloves, masks, etc. (wherever required), presence of the emergency preparedness plan in place prior to commencement of construction activities as well as ensuring security matter of the site by fencing the whole project area and provide gates for entrance and exit purpose.

## **MITIGATION MEASURES AND ENVIRONMENTAL AND SOCIAL MANAGEMENT PLAN (ESMP)**

The options to minimize or prevent the identified adverse social and environmental impacts as well as a monitoring plan have been suggested in this report and are contained in the ESMP. Many of them are based on good engineering practices and the timely responsiveness of the responsible institution. The ESMP describes the implementation schedule of the proposed mitigation measures as well as planning for long-term monitoring activities. It defines the roles and responsibilities of different actors of the plan. The Approach environmental and social costs amount to TSH 38,000,000 (Excluding the costs that will appear in then (BOQ) and resettlement exercise. The estimated annual costs for carrying out the proposed environmental and social motoring program amounts to TSH 24,000,000.

## **CONCLUSION**

It is, therefore, concluded that implementation of the proposed construction of public toilets at Kigamboni Mtaa, Kigamboni ward in Kigamboni Municipality is not located in the Environmental sensitive area and will entail no detrimental impacts provided that the recommended mitigation measures are adequately and timely put in place. The identified adverse impacts shall be managed through the proposed mitigation measures and implementation regime laid down in this EIS. DAWASA is committed to implementing all the recommendations given in the EIS and further carrying out the environmental auditing and monitoring schedules.

**Comprehensive Project Brief for the Proposed Public Toilet to be Built at Kigamboni Mtaa, Kigamboni ward, Kigamboni District, Dar es Salaam Region**

**1.0 BACKGROUND AND JUSTIFICATION**

The Government of the United Republic of Tanzania (GoT) through the Dar es Salaam Water and Sewerage Authority (DAWASA) under the Ministry of Water intends to implement an Off-Grid Sanitation Project (OGSP) in Dar es Salaam City to serve peri-urban areas not connected to the central sewerage system. DAWASA has received financing from the International Development Association (IDA) in the form of a credit to implement the project. Prior to implementing the project, the law in Tanzania requires an Environmental Impact Assessment to be conducted and approved by relevant authority. In order to comply with the law in Tanzania, the DAWASA intends to apply a portion of the proceeds of the credit to eligible payments for consulting services for Preparation of Environmental and Social Impact Assessment (ESIA) and Resettlement Action Plan (RAP) Report for construction of off grid sanitation projects.

Dar es Salaam is the largest and most important commercial and industrial centre in Tanzania. The city has an estimated population of about 5.0 million and is projected to double at the end of the project horizon of 25 years (ToR). About 10% of the population is served by sewers and the rest almost depend on on-site sanitation systems. The onsite sanitation systems result into Faecal sludge of which handling and management throughout the sanitation chain (from domestic containment, transportation as well as disposal and treatment) is currently hygienically inadequate thus posing environmental and public health risks. The Off Grid project is intended to address these challenges. The Off Grid project is divided into several subprojects which will be implemented in the five municipalities of Dar es Salaam City. One of these is the Construction of a Public Toilet at Kigamboni WEO Office Plot in Kigamboni Ward, Kigamboni Municipality. The toilet will mostly serve the people using at Kigamboni WEO office vicinity (traders and their customers).

The ESIA study was conducted in accordance with the Environmental Management (Environmental Impact Assessment and Audit) (Amendment) Regulations, 2018 along with the Environmental Impact Assessment and Audit Regulations of 2005. These Regulations provide legal procedures for implementing the requirements of the Environmental Management Act Cap.191 of 2004. The Regulations give mandate to NEMC to oversee the EIA process, which culminates with an award of the EIA Certificate by the Ministry responsible for Environment.

In accordance with the EIA Regulations, NEMC is mandated to screen projects and make decisions of level of EIA required as well as evaluating the adequacy of respective environmental statements. Considering the nature and size of the proposed “Public Toilet Project in Kigamboni Municipality”, the project falls under Category “B2” (Non-Mandatory) in accordance with Reg.4(1)(c) and First Schedule of the amended 2018 Regulations. The regulations require developers to prepare and submit to the National Management Council (NEMC) filled EIA registration forms and “Project Briefs” for all B2 projects. The preparation and content of the “Project Briefs” is provided under Reg.6(1). The same has been followed in preparing this “Project Brief”. The project brief was conducted in July-August 2020.

This project brief for the Proposed Construction of Public Toilet in Kigamboni Municipality is being submitted to NEMC together with EIA Registration Forms for EIA Certificate decision.

## **1.2 NATURE OF THE PROJECT**

The proposed project concerns construction of an engineered sanitary depository for sewage (night soil) for public use at Kigamboni WEO Office, Kigamboni ward, Kigamboni Municipality. The nature of the project enhances environmental protection through proper handling and disposal of domestic sewage. According to First Schedule of the EIA and Audit Regulations (Amended) of 2018, the nature of the project is small and entails no significant impacts. The project can be categorised as Type B2, which according to the

regulations are “small-scale activities and enterprises that require registration but shall not require Environmental Impact Assessment. Further, the projects shall not require screening and scoping, rather, the Project Brief shall be examined and issued with an Environmental Impact Assessment Certificate”.

## **2.0 PROJECT DESCRIPTION**

### **2.1 Project Location**

The project site is located at Kigamboni Mtaa, Kigamboni ward, Kigamboni Municipal within Dar es Salaam Region. The project site is geographically located at 37S UTM zone with coordinates in Table 1. The site is 3 Kilometers from Dar Es Salaam city centre via ferry and 15 Kilometers via Nyerere Bridge. (Refer Figure 1, and Figure 2).

**Table 1: The coordinates of the project area**

<b>S/No.</b>	<b>Coordinates</b>	
	<b>Easting</b>	<b>Northing</b>
1.	534418	9245471

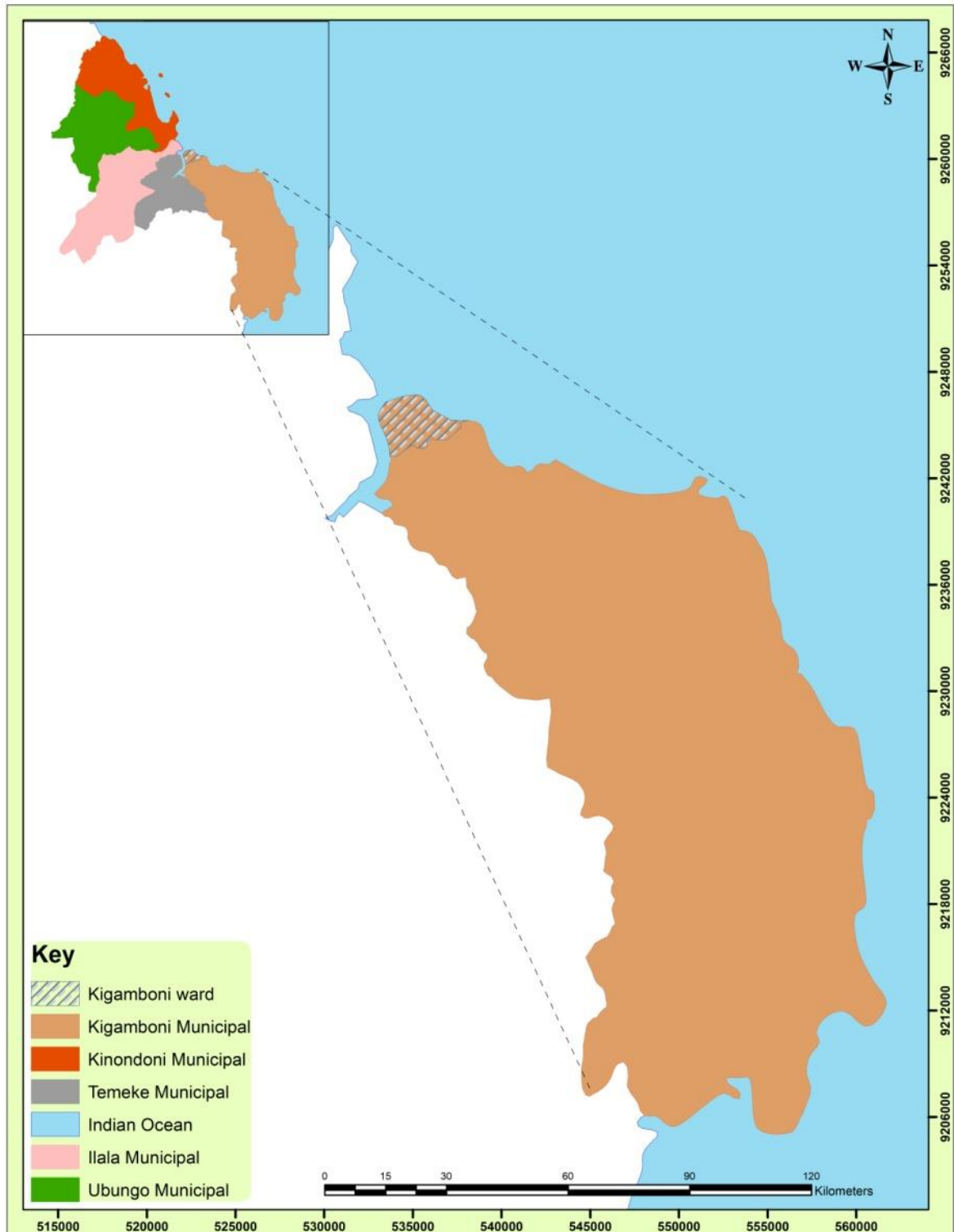


Figure 1: A Map of Dar es salaam region showing the project Municipal



Figure 2: An Extract Google view to show the Location of the project area

## 2.2 Accessibility

The project area is accessible through both Kigamboni-Kongowe/Kibada road and Gezulole road. The project site is about 1.2 km from Kigamboni Ferry and approximately 0.15 km from Kigamboni Hospital.

## 2.3 Specific Features

The proposed project site is characterized with both natural and artificial vegetation. There are short grasses, small groundnuts and maize farm, artificial trees (Neem plant 1 in number) and small pawpaw trees (4 in number) (Figure 3). The project site is located adjacent to the marches within which a river drains to Indian Ocean. Generally, the project site is rich in nutrients because some farming activities were observed to be conducted.



Figure 3: Some of the natural and artificial vegetation species at site

## 2.4 Adjacent Land Use

The land use within and around the project site encompasses; residential-commercial buildings, residential buildings, Institutional buildings and open spaces, figure 4.



Figure 4: The Business activities around the project site

### 2.4.1 Land Ownership

The proposed project site is solely owned by Kigamboni Municipal council; however, the Memorandum of Understanding, MoU was signed between DAWASA and Kigamboni Municipal Council for the implementation of the project, Appendix III.

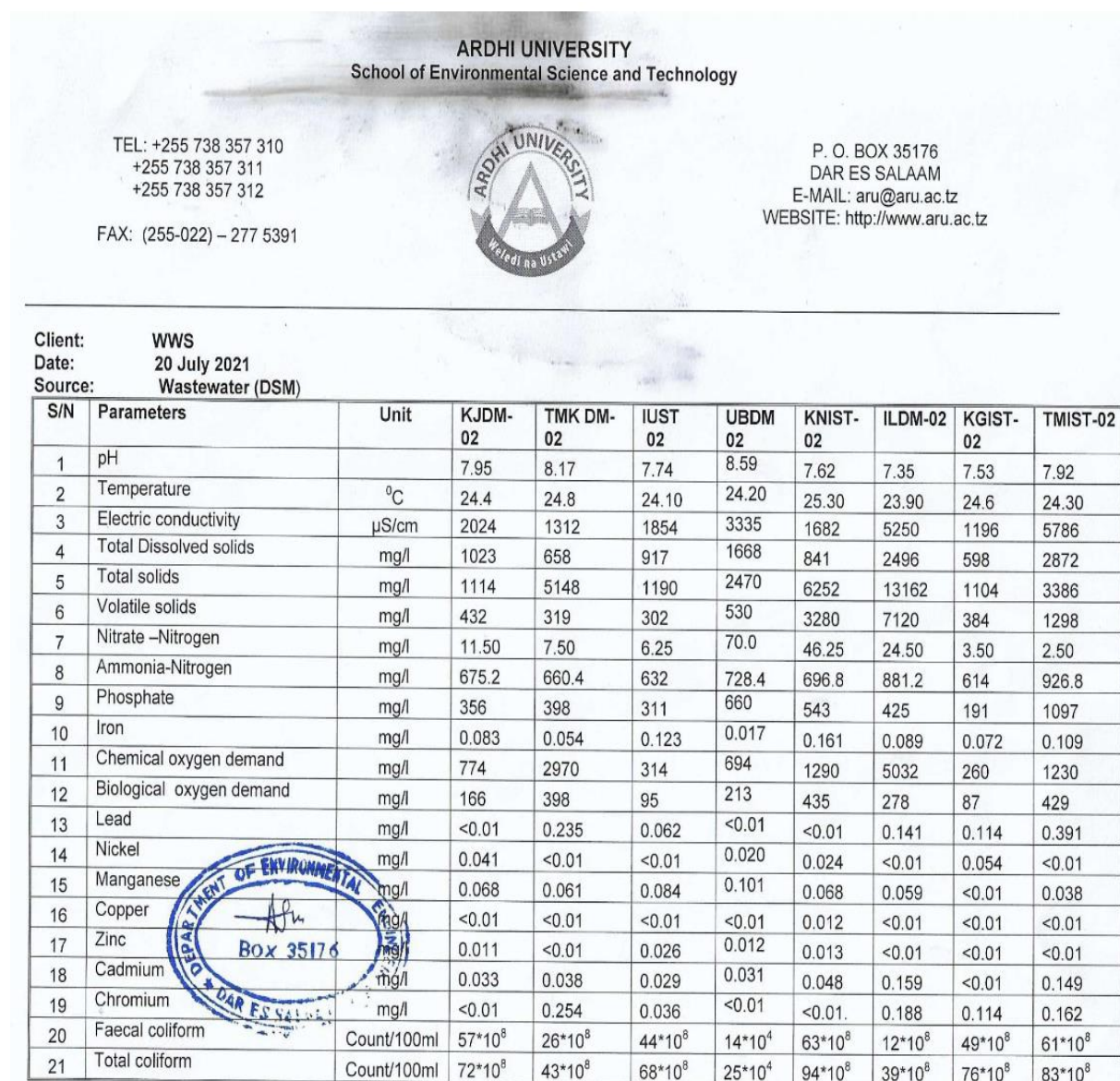
## 2.5 Baseline information

### 2.5.1 Water sources

Groundwater is abundant in almost the entire Dar es salaam City. This is because of the sea level rise. The major direct impacts of sea-level rise include inundation of low-lying areas, loss of coastal wetlands, increased rates of shoreline erosion, saltwater intrusion and increased salinity in estuaries and

coastal aquifers, and higher water tables and higher extreme water levels leading to coastal flooding (Nicholls et al., 2007; Bicknell et al., 2009).

Figure 5, stipulates the baseline water quality which is way beyond Tanzania standards presented in appendix VI as extracted from the environmental management (water quality standards) Regulations, 2007



*Figure 5. Water quality test results (Source Design Report 2021)*

### 2.5.2 Air quality and Noise level

The air quality observations indicate that the general air quality in the project area is good as there is no any strange activity contributing to air pollution. However, seasonal variation as well as localized and temporal deterioration in air quality does occur.

On the other hand, noise level at the project area is mainly due to moving vehicle along the road, moving air (wind) or rain and birds. Project activities during construction will change patterns and amplitude of noise in the project area.

### **2.5.3 Vegetation**

The proposed project site is characterized with no immediate vegetation at the vicinity of the project site.

### **2.5.4 Climate**

Kigamboni ward in Kigamboni Municipality of Dar es Salaam Region in which the proposed site is located is close to the warm Indian Ocean. Kigamboni Municipality lies in the tropical coastal bely of Tanzania and is influenced by two major climatic seasons, namely rainfall and temperature. Rainfall pattern is that of bimodal type with erratic conventional rains. The monsoon rains occurring almost throughout the Municipality between December and February, While the long heavy rains in the period from March to June, The amount of rainfall received ranges from 800-1200mm per annum. Temperature just like rainfall is also influenced by ocean. High temperature prevails throughout the year ranging from 25<sup>0</sup>C during the period of June to August up to 35<sup>0</sup>C in the period of January to March (MSN Weather, 2009). Implementation of Public toilet project will not be affected by the climate in Kigamboni area because the structure has been designed in accordance to the climate of the proposed site, that means the indoor climate of the established facility will not hamper the its usage.

### **3.0 POLICIES, LEGISLATION AND INSTITUTIONAL ASPECT**

#### **3.1 Overview**

According to the fundamental principles of environment, any developmental activities of this nature such as construction of Public Toilet would have socio-economic and somehow environmental impacts that must be addressed and governed in order to serve public interest and sustainable development. Given the many existing and developing environmental laws, regulations and standards in Tanzania, it is worth considering resorting to constitutional provisions to protect and manage the environment. With increasing environmental awareness in recent decades, the environment has become a higher political priority and many constitutions now expressly guarantee a 'right to a healthy environment', as well as the procedural rights necessary to implement and enforce the substantive rights granted. The public or national interest in this aspect is addressed through government Policies and regulated by Principal Acts and Regulations. The implementation of the proposed project shall touch various sectors; therefore, the developer has to comply with number of cross-sectorial policies and legislations relevant to this project. Also, the listed institutions involved in environmental management for the project is included in this chapter.

#### **3.2 Relevant Policies**

This section focuses on various policies which guide the development aspects for sustainable vision, apart from the national environmental policy, there are numbers of sector policies that are to be reviewed when executing the proposed development and these include;

##### **3.2.1 National Environment Policy 2021**

The National Environmental Policy of 2021 has just been launched in February 2021. The new policy formulation is a revision of the National Environmental Policy of 1997. The Policy serves as a national framework for planning and sustainable management of the environment in a coordinated, holistic and adaptive approach taking into consideration the prevailing and emerging environmental challenges as well as national and international development

issues. Effective implementation of this policy requires mainstreaming of environmental issues at all levels, strengthening institutional governance, and public participation in environmental management regimes. The long-term vision of this policy is geared towards the realization of environmental integrity, assurance of food security, poverty alleviation, and increased contribution of the environmental resources to the national economy. It also recommends strong institutional and governance measures to support the achievement of the desired objectives and goals.

The policy seeks to promote the economy and livelihoods of people while promoting sustainable utilization of natural resources in the country. The policy provides the framework for the formulation of plans, programmes, and guidelines for the achievement of sustainable development.

The policy overall objective is to provide a national framework for guiding harmonized and coordinated environmental management for the improvement of the welfare of present and future generations. The specific objectives are i) to strengthen coordination of environmental management in sectors at all levels; ii) to enhance environmentally sound management of land resources for socioeconomic development; iii) to promote environmental management of water sources; iv) to strengthen conservation of wildlife habitats and biodiversity; v) to enhance conservation of forest ecosystems for sustainable provision of environmental goods and services; vi) to manage pollution for the safe and healthy environment; vii) to strengthen the national capacity for addressing climate change impacts; viii) to enhance conservation of aquatic system for the sustained natural ecosystem; ix) to ensure safety at all levels of application of modern biotechnology; x) to promote gender consideration in environmental management; xi) to promote good governance in environmental management at all levels; and xii) to ensure predictable, accessible, adequate and sustainable financial resources for environmental management.

### **3.2.2 National Land Policy of 1997**

The National Land Policy states that “the overall aim of a National Land Policy is to promote and ensure a secure land tenure system, to encourage the optimal use of land resources, and to facilitate broad-based social and economic

development without upsetting or endangering the ecological balance of the environment". This study partly responds to this requirement.

### **3.2.3 Construction Industry Policy (2003)**

Among the major objectives of the policy, which supports a sustainable building development sector, include the promotion and application of cost effective and innovative technologies and practices to support socio-economic development activities such as sanitation, water supply, buildings, road-works, shelter delivery and income generating activities and to ensure application of practices, technologies and products which are not harmful to either the environment or human health. Proposed project is in-line with this policy as ultra-modern technology is used during construction and its operation.

### **3.2.4 National Health Policy (2003)**

The Health Policy is a vital guide towards health development of any country. It is particularly, important in a country like ours where resources and technology are more limited than in other countries, which are relatively better off in both technology and resources. This Policy is a revision of the 1990 Health Policy, which emphasized on the need for increasing community involvement in health development and improved access and equity in health and health services.

The Policy recognizes the challenges of consolidating the principles of the previous health policy in community involvement, improved health services provision, access and equity while addressing the different dimensions of reforms that are taking place in the Public Sector.

The proposed project will adhere to policy requirements to ensure no transmission of such communicable diseases between construction workers and the community protects workers from all sorts of health risks and hazards; and provide adequate sanitation services within the project and ensure that its activities are not a source of health issues.

### **3.2.5 National Gender Policy of 2000**

The overall objective of the Gender and Development Policy is to promote gender equality and equal participation of men and women through facilitation

of access to education, child care, and employment and decision making. Also this policy is to provide guidelines that will ensure that gender-sensitive plans and strategies are developed in all sectors and institutions. While the policy aims at establishing strategies to eradicate poverty, it emphasizes gender quality and equal opportunity of both men and women to participate in development undertakings and to value the role played by each member of society. The proposed project will follow the requirements addressed under this policy.

### **3.2.6 National Human Settlements Development Policy (2000)**

Among the objectives of this policy is to improve the level of the provision of infrastructure and social services for the development of sustainable human settlements and to make serviced land available for shelter to all sections of the community. Such infrastructure and services constitute the backbone of urban/rural economic activities. Public Toilet is one among of the important infrastructure for Pemba Mnazi ward community and country at large

## **3.3 PRINCIPAL LEGISLATIONS AND REGULATIONS**

The ESIA team reviewed several legislations relevant to the construction of Public toilets. These encompass Principal Acts that support and provide guidelines to implement the intended project as discussed below.

### **3.3.1 Environmental Management Act (2004)**

Among the major purposes of the EMA are to provide the legal and institutional framework for sustainable management of the environment in Tanzania; to outline principles for management, impact and risk assessment, the prevention and control of pollution, waste management, environmental quality standards, public participation, compliance, and enforcement; to provide the basis for the implementation of international instruments on the environment; to provide for the implementation of the National Environmental Policy; to provide for the establishment of the National Environmental Fund and to provide for other related matters.

Part III, Section 15(a) states that "*in matters about the environment, the Director of Environment shall coordinate various environment management activities being undertaken by other agencies to promote the integration of environmental considerations into development policies, plans, programs, strategies projects and undertake strategic environmental assessments to ensure the proper management and rational utilization of environmental resources on a sustainable basis for the improvement of the quality of human life in Tanzania*". Part X of the law deals with Environmental Quality Standards. Section 140 of this act states that "*The National Environmental Standards Committee of the Tanzania Bureau of Standards established under the Tanzania Bureau of Standards Act, 1975 shall develop, review and submit to the Minister proposal for environmental standards and criteria concerning; water quality; discharge of effluent into the water; air quality; control of noise and vibration pollution; sub-sonic vibrations; soil quality, control of noxious smells; light pollution; and any other environmental quality standard*". Some of these standards have already been published in the government *gazette* while others are not in place. This project shall consider all the standards specified by this act.

### **3.3.2 The Environmental Management (Fees and Charges) Regulations, 2021**

These Regulations shall apply in relation to an act or service in respect of which fees and charges are payable under the Act and Regulations made there under. The regulations emphasize that "a person shall not, upon payment of fees and charges prescribed in the Schedule to these Regulations, carry on any of the following":

- Environmental Impact Assessment;
- Environmental Compliance Monitoring and Audit;
- Registration of Environmental Experts;
- Environmental Quality Standards;
- Noise and Vibrations; or
- other activities related to the environment

This project complies with the regulations since the proponent has already paid registration fees and review charges as directed by NEMC.

### **3.3.3 The Environmental Management (Control of hazardous Waste) Regulations, 2021**

The objective of these regulations is to protect the environment and human health by preventing or reducing the generation of Hazardous waste, the adverse impacts of the generation and management of hazardous waste and by reducing overall impacts of resource use and improving the efficiency of such use, which are crucial for the transition to a circular economy. The regulation requires that “any person generating, collecting, storing, transporting, treating, recycling, reusing, recovering and disposing of hazardous waste or any person exercising jurisdiction under these Regulations shall, assure that there are no adverse impacts to be generated or caused by the activity conducted. Project developer will comply with the requirements of this regulation by reducing the construction materials which may generate hazardous impacts, as well as proper handling of such waste such as in use of fuels for various purposes etc.

### **3.3.4 The Environmental Management (Control of Noise and vibration) Regulations, 2015**

The regulations focus on the maintenance of a healthy environment for all the people in Mainland Tanzania, the tranquility of their surrounding and their psychological well-being by regulating noise and vibration levels to prescribe the maximum permissible noise and vibration levels from a facility or activity to which a person may be exposed. The project developer will make sure that all the guidelines under this policy will be considered to ensure the healthy environment to everyone.

### **3.3.5 The Environmental Management (Prohibition of Plastic Carrier bags) regulations, 2019**

Regulations are meant to impose a total ban on the import, export, manufacturing, sale, and use of plastic carrier bags regardless of their thickness. Plastic carrier bags has a wide definition in the Regulations, as a bag made of plastic film, with or without handles, or gussets and to which its layer is in any thickness. The Regulations also categorically state that no person shall sell or offer for sale beverages or other commodities wrapped in plastics unless

the nature of such commodities require wrappings by plastics, and restricts any licensing authority from issuing any licenses after the Regulations come into force. Project developer will make sure that there will be no use of plastic bags within the project site and the whole project life time, also in case of the need of carrier bags the proponent will make sure that there will be an alternative bags which are allowed by the regulations. For the commodities that are wrapped in plastic, then the proponent will make sure that such plastic will be handled properly.

### **3.3.6 The Environmental Management (Solid Waste Management) Regulations, 2007**

The solid waste management regulation of 2007 provides general directive on management of solid waste as follows: -

Regulation detail the requirements and responsibilities for managing solid waste in Tanzania

Highlight waste minimization and cleaner production principles alongside the duty to safeguard the public health and the environment from adverse effects of solid waste. Detail permitting requirements, notably which any person dealing with solid waste as collector, transporter, waste depositor or manager of a transfer station will apply to the LGA for a permit. The local authority will also issue licenses to individuals or companies qualified to operate solid waste disposal sites; permit is required to operate an LGA waste disposal site. The proposed project is expected to generate solid waste in construction phase. Therefore, to comply with this regulation the Project developer will engage the registered solid waste collection contractor.

### **3.3.7 The Environmental Management (Water Quality) regulations, 2009**

Regulations provide for institutional and legal framework for sustainable management and development of water resources; to outline principles for water resources management; to provide for the prevention and control of water pollution; to provide for participation of stakeholders and the general public in implementation of the National Water Policy. These regulations require the sustainable management of water sources and proper use of the available sources without causing any damage towards such sources. Also, the

regulations emphasize that it is every one's responsibility to conserve and preserve the available water sources in Tanzania. During all phases of the project there will be water demand, hence the project developer will make sure that there will be a sustainable use of water. Also during construction and maintenance phase the developer will make sure that the water supply pipes will not be damaged in either way.

### **3.3.8 The Environmental Management (Air Quality) regulations, 2009**

The Regulations were formed in order to: -

- Prohibit emissions and releases of hazardous substances into the environment
- Prescribe permissible emission limits and quantities of emissions of sulphur oxide, carbon monoxide, black smoke and suspended particulate matters, nitrogen oxide, ozone, hydrocarbons, dust and lead
- Empower NEMC to issue air pollutant emission permits, enforce compliance, undertake emergency prevention and issue stop orders
- Set baseline parameters on air quality and emissions based on a number of practical considerations and acceptable limits and ensure protection of human health and the environment from various sources of pollution.

The proposed project will follow the requirements of this Act, emission limits will be monitored to the permissible limits.

### **3.3.9 The Environmental Management (Soil Quality) regulations, 2009**

These Regulations made by the Minister of State under sections 143, 144 and 230 of the Environmental Management Act, concern soil pollution and soil quality standards and provide with respect to a soil protection permit and compliance system. They also concern measures of enforcement. The object of these Regulations is to

- Set limits for soil contaminants in agriculture and habitat;
- Enforce minimum soil quality standards prescribed by the National Environmental Standards Committee.

Also, the regulations require that, the contaminants of volatile organic compounds in habitat and agricultural soils shall comply with parameters and upper limits as prescribed and contaminants of heavy metals in habitat;

agricultural soils shall comply with parameters and upper limits as prescribed and contaminants of pesticides in habitat and agricultural soils shall comply with parameters and upper limits as prescribed. Local government authority may prescribe special or specific measures and guidelines for soil conservation applicable to their respective areas of jurisdictions which are not below standards prescribed under these Regulations. The Project developer will comply with the requirements made under these regulations.

### **3.3.10 Occupational Health and Safety Act 2003**

The provisions of this law require employers to provide decent working environment to employees to guarantee their health and safety. Occupational health and safety services are important for sustainable development of a country, as they reduce occupational accidents and diseases which can have huge economic burden to individuals, enterprises and the nation as whole. Improving health and safety of workers will significantly increase productivity at the workplaces to encourage more investments, increase job creation, higher morale, and job satisfaction hence industrial harmony. The law also entails employers to fulfill obligations of ensuring safety of the equipment's used by workers and providing proper safety gears as required.

### **3.3.11 Water Supply and Sanitation Act No. 12 of 2009**

This is also a new legislation that provides for sustainable management and adequate operation and transparent regulation of water supply and sanitation services; provides for establishment of water supply and sanitation authorities as well as community owned water supply organizations; and provides for appointment for service providers. The main aim of this law is to ensure the right of every Tanzanian to have access to efficient, effective and sustainable water supply and sanitation services for all purposes by taking into account among others protection and conservation of water resources and development and promotion of public health and sanitation; and protection of the interest of customers. Under this law, the Minister responsible for water affairs shall establish water authority and cluster water authorities in order to achieve commercial viabilities.

### **3.3.12 Engineers Registration Act and its Amendments 1997 and 2007**

The Acts regulate the engineering practice in Tanzania by registering engineers and monitoring their conduct. It establishes the Engineering Registration Board (ERB), the law requires any local or foreigner engineer to register with (ERB) before practicing in the country. Project developer will continue to comply as it has utilized the services of registered engineering firm for its structural designs which it will continue to use to supervise the construction process.

### **3.3.13 Contractors Registration (Amendment) Act, 2008**

The Contractors Registration Act requires contractors to be registered by the Contractors Board (CRB) before engaging in practice. It requires foreign contractors to be registered by the Board before gaining contracts in Tanzania. Project Developer shall comply with the law requirement during the recruitment of contractors for project implementation.

### **3.3.14 Architects and Quantity Surveyors Act (1997)**

The Act requires Architects and Quantity Surveyors to be involved in the project to be registered by the Architects and Quantity Surveyor Board (AQSB) before engaging in practice. It also requires foreign contractors to be registered by the Board before gaining contracts in Tanzania. Project Developer has complied with the law requirement during the recruitment of architects who have designed the project and will continue to utilize registered persons in the project implementation.

### **3.3.15 Urban Planning Act Cap. 355 (2007)**

The law provides for the orderly and sustainable development of land in urban areas, to preserve and improve amenities; to provide for the grant of consent to develop land and powers of control over the use of land and to provide for other related matters. Under Section 3, among others the law seeks to improve level of the provision of infrastructure and social services for sustainable human settlement development. This act established planning authorities which include the city, municipal, town and township councils in the country which have responsibilities including:

- Secure the orderly and environmentally sustainable development of area under its jurisdiction;
- Prepare general and detailed planning schemes;
- Control building densities and access to buildings;
- Recommending approval of building schemes and subdivision of plots by developers;
- Secure cooperation of all agencies, utility bodies, land owners and other bodies and institutions involved in the preparation and implementation of planning process;

### **3.3.16 The Urban Planning (Planning Space Standards) Regulations, 2018**

The Urban Planning Space Standards" include standards for residential areas, unplanned settlements, building height, building lines and setbacks, floor are, plot coverage and plot ratio, health facilities, education facilities, recreation facilities, beach facilities, golf course, passive and active recreation, public facilities by planning levels, public facilities by population size, parking and road width and agricultural show grounds.

### **3.3.17 Urban Planning (Use Groups and Use Classes) Regulations, 2018**

For the purposes of planning and the control of development, all uses of land and buildings are categorized in the use groups and use classes in the First Schedule. The planning authority may, under special circumstances (Second Schedule); permit any use not classified under a separate use class in these regulations provided that such use is in the public interest.

### **3.3.18 The Urban Planning (Zoning Of Land Use) Regulations, 2018**

These Regulations revoke the Town and Country Planning (Zoning of Land Uses) Regulations, 1960. The Regulations define the zones for land uses and mapping colours that shall be as prescribed in the Schedules to these Regulations. Where there is uncertainty with regard to the boundaries of the zones in the approved maps, schemes or plans, such uncertainty shall be referred to the Authority.

For the purposes of these Regulations, uses of land that are permitted and those that may be permitted under special circumstances by the planning authority in different zones of the local planning area shall be as follows:

- (i) Residential
- (ii) Commercial (Retail and Wholesale)
- (iii) Industrial (Light, Medium, Heavy & Service)
- (iv) Institutional
- (v) Public Utilities
- (vi) Beach, Open Spaces and Recreational
- (vii) Transportation, Communication and Microwave towers
- (viii) Agricultural
- (ix) Water bodies
- (x) Conservation
- (xi) Economic Development

### **3.3.19 Public Health Act (2009)**

Provide for the promotion, preservation, maintenance of public health with a view to ensuring the provisions of comprehensive, functional and sustainable public health services to the general public. Part III (e) of the act requires premises owners to keep their premises free of mosquitoes and other disease vectors, vermin or causative agents; Section 54 prohibits causing or suffering from nuisance likely to be injurious or dangerous to health, land, premises, air or water; Part IV (c) assigns responsibility to City council to remove or appoint an agent to collect, transport and dispose solid and liquid waste and charge fees to beneficiaries of this service and responsibilities for prescribing types of wastes and guidelines for their collection and disposal; Section 101 it gives rights to any private sewer to connect it to any available public sewer to discharge foul or storm water therefore the project may connect to and discharge sewage or storm water into the available trunk main. However, the quality of the sewage should be as per agreed with the water authority.

The Contracting Authority will ensure that the project design, construction and operation do not constitute a nuisance; meets the requirements meets public health requirements.

### **3.3.20 World Bank guidelines for Environmental Management**

The main objective of this EMP is to establish a set of mitigation and monitoring measures to minimize the adverse social and environmental impacts that can take place during the implementation stage of the subproject. The measures especially focus on sensitive receptors or sensitive locations. The EMP also provides specific information about the monitoring program during construction stage including locations, frequency and reporting process. This project complies with these guidelines as it has ESMP which contains mitigation and monitoring plans of the identified impacts.

## 4.0 PROJECT ACTIVITIES

### 4.1 Mobilization or pre-construction phase

This phase entails mobilization of labour force, and equipment as well as acquisition of various permits as required by the law.

Other activities during this phase include;

- Topographical Survey for setting out purposes,
- Construction Materials' source Investigation,
- Land acquisition (Memorandum of Understanding is appended on appendix IV)
- Material storage and material preparation,

#### Duration

This phase is expected to take a total of three 2 Months.

### 4.2 Construction phase

During this phase a number of activities will be conducted, the phase is expected to last for one year the following is the list of activities expected to be carried out during this phase;

- **Site Clearance:** The contractor shall clear the construction areas within the site of all bushes, roots, boulders, natural obstructions, rubbish and any other natural or artificial obstructions, which would interfere with construction of buildings, roads, paths and drains.
- **Excavation:** Excavations for foundations and the reinforced concrete structure shall be to the widths, depth and levels to accommodate the structure shown on the drawings. Working space has been allowed for in the measurement of excavation quantities given in these Bills of Quantities in accordance with the rules of measurement laid down elsewhere in these Bills, namely 1.00 meter from the face of any work which requires formwork over 1m deep below the starting level of excavation, and 0.30 meter from face of any work which requires formwork not exceeding 1-metre-deep below starting level of excavation.
- **Filling:** The fill shall be clean, selected coarse sand or gravel. It should be taken from borrow pits for filling.

- **Disposal of surplus excavated material:** Surplus excavated material will be carted away from the vicinity of the walls and deposited, spread and levelled on areas to be allocated by the Structural Engineer, reasonably adjacent to the site.
- Concrete work:
- Steel fixing:
- Formwork preparation:
- Masonry work
- Finishing work
- Carpentry work

### **Alternative source of Energy**

During this phase the alternative source of energy is the generator which will be stand-by during power outage from TANESCO.

### **Duration**

This phase is expected to take a total of Six 6 Months.

### **4.3 Demobilization phase**

This phase will involve the dismantling of temporary structures such as scar forming and removing/spreading spoil materials for proper restoration of the site, this phase will last for 2-3 months.

Other activities include;

- General cleanliness of the area, that is clearance of all sorts of solid wastes (plastics, wood, metal, papers, etc.);
- Deposit all wastes to the authorized dumpsite;

### **4.4 Operation phase**

The phase entails the actual usage of the toilet. Supply of water and toilet cleaning materials (disinfectants) are among the essentials for running the facility. Faecal sludge will be deslugged using vacuum takers and disposed of at waste stabilization ponds at Toangoma FSTP for further treatment. The Kigamboni municipality will decide on the mode of running the toilet for

instance instituting fee, Standby attendants will be positioned to oversee the day to day running of the facility. The facility is estimated to run for 30 years with subject to minor and major repair.

#### **4.5 Decommissioning Phase**

Decommissioning is not anticipated in the foreseeable future as the completed facility will be serving a lot of people from; The bus stands and the nearby market, bodaboda drivers and the passersby who at present use the existing public toilet but it does not suffice. However, if this will happen, may entail change of use (functional changes) or demolition triggered by change of land use.

### **5.0 PROJECT DESIGN**

#### **5.1 Toilet Design**

The project intends to establish the Modern Public Toilet at Kigamboni Mtaa, Kigamboni ward in Kigamboni Municipality. About 22 units each with different size and type of service ranging from urinals, bidets, WCS, HWB, showers, lobby, storage room and office space, (*Technical guidelines for construction of institutional and public toilets 2012*). The Proposed Project site covers an approximately area of 120m<sup>2</sup>. The project is one single multipurpose facility aimed at providing services to the community, this proposed project is suitable for the particular site because of the future land use plan of the area which is market, therefore the market will accommodate large number of people hence the public toilet was essential. Pertinent area of each cube/partition with their number in the facility is as described in Table 2.

Furthermore, the project will involve the construction of raiser for elevated water storage tank to build adequate pressure for proper functioning of the facility.

Other studies relevant to this project such as Geotechnical Investigation, Hydrology and hydraulics study etc. will be conducted during the detailed design depending on the site condition.

**Table 2: The Proposed Standard Public Toilet working spaces with their respective areas**

Cube/partition	Unit area(m <sup>2</sup> )	Number of units in the Facility
Ladies toilet	24.5	6
Gents Toilet	24.5	4
Disabled	6.0	2
Janitor	3.6	1
Store	3.6	1
Ladies shower	5.5	3
Gents Shower	5.5	3
Lobby	17	1
Reception	2.6	1
Total	92.8	22

### 5.1.1 Design approach

- The basic idea of volumetric composition is based on emphasizing the entrance without affecting the privacy and security of the public.
- The building is designed with a connection of two volumes: the front entrance space and the functional toilet area to give comfort.
- Occupants waiting area are at the right and left side of the toilet which are not seen from the entry area into the toilet.

### 5.2 Layout Plan

The toilet layout plan is given in Figure 5. The project is a simple structure that shall be constructed using block works, corrugated iron sheets and wooden members for doors.

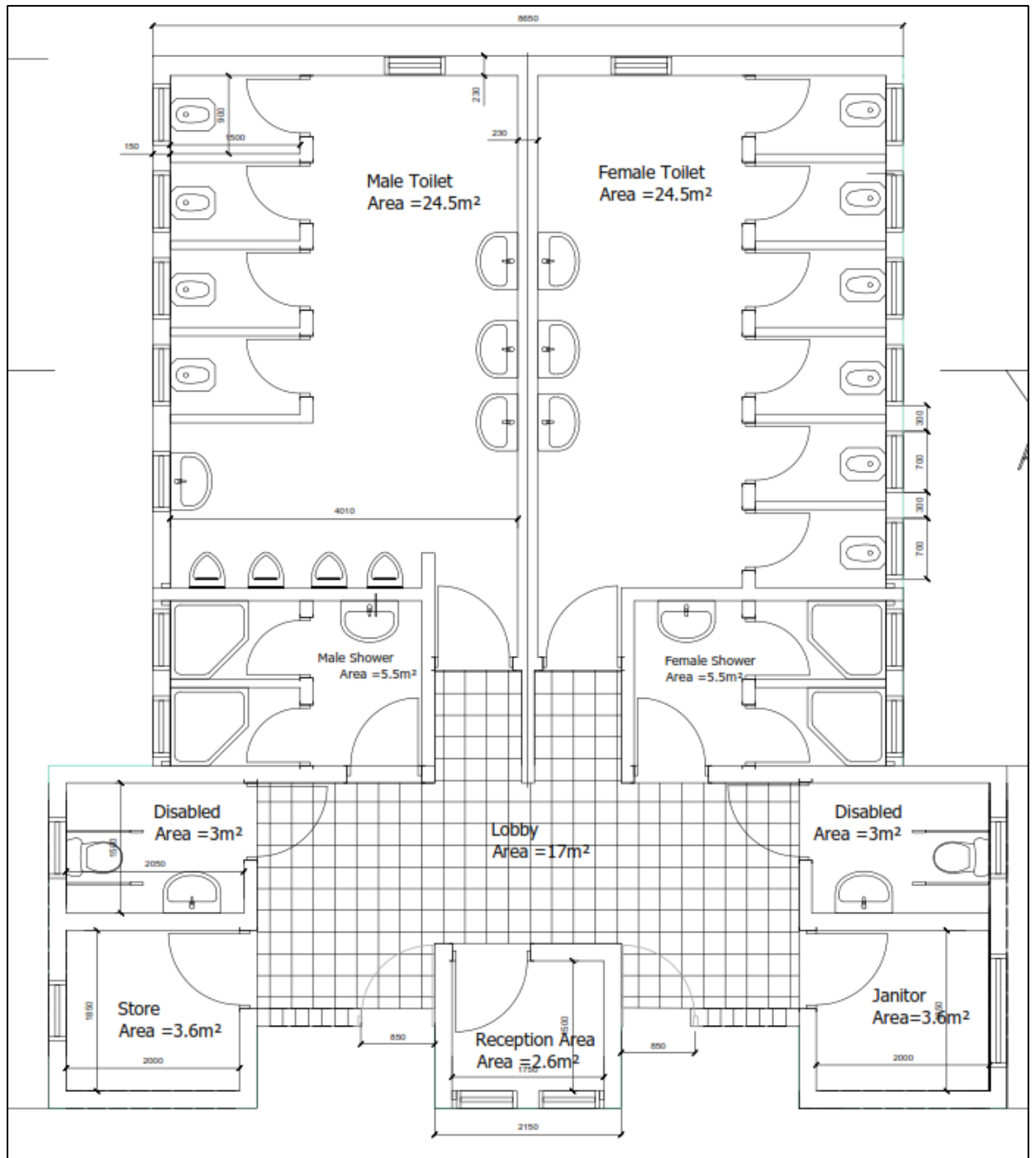


Figure 5: Floor Plan for Public Toilet

## 6.0 PROJECT REQUIREMENTS AND WASTE GENERATION

### 6.1 Project requirements

#### 6.1.1 Construction materials and labour force

The main materials for public toilet include cement, aggregates (stones), water, steel, sand, timbers, blocks, uPVC pipes, IPS Pipes and gravels. All materials are available in the local sources in Tanzania and will be provided in the BOQ. But the preliminary estimated quantities of the materials are summarized in table 3.0. In addition to that, material such as stone and gravels can be acquired from registered dealers such as M/S Even Enterprises Company Limited who has a license to mine at Lugoba area in Bagamoyo District.

**Table 3: Quantities of construction Materials**

Requirements	Type	Approx. Quantity required
Substructure	Hardcore	114m <sup>3</sup>
	Concrete	249 m <sup>3</sup>
	Reinforcements	500 m <sup>3</sup>
Frame	Hardcore	114m <sup>3</sup>
	Concrete	249 m <sup>3</sup>
	Reinforcements	500 m <sup>3</sup>
Walling	230mm thick Block wall	83 m <sup>2</sup>
	150mm thick Block wall	159 m <sup>2</sup>
	100mm thick Block wall	83 m <sup>2</sup>
Roofing	150x150 Rafters	127m
	150x150 Tie Beams	110m
	150x150 King posts	27m
	150x150 Struts	213m
	100x50 Thick wall plates	36m
	50x50 Purlins	123m
	240x20 Thick stained black fascia badge boards	54m

Requirements	Type	Approx. Quantity required
	150mm Half round UPVC rainwater gutter fixed to fascial board	28m
	100mm Diameter UPVC rainwater downpipe	15m
Windows and Doors	Door size 850 x 2400mm high	11 Nos
	Door size 850 x 1900mm high	14 Nos
	Window size 1300 x 1500mm High	1 Nos
	Window size 775 x 1500mm High	2 Nos
	Window size 700 x 500mm High	20 Nos

### 6.1.2 Labour force

The labour force will be determined by the Contractor; nevertheless, it is projected that during the construction phase the project will require not less than 50 workers both skilled and non-skilled laborers for each phase of project construction.

### 6.1.3 Machinery and Equipment

The proposed project development will employ various standard construction equipment and machinery. Equipment expected to be used during the construction works are Tippers, Concrete Mixers, poker vibrators, Wheel barrow, Compactor, etc. All equipment and machineries for construction works needed by the proposed project will be determined when the bill of quantities (BoQ) and selection of Contractor is finalized. This equipment shall be temporary and shall be demobilized once project is completed.

## 6.2 Wastes generation

The major wastes generation associated with the project are spoil soils resulting from earthworks during the foundation excavations, solid wastes and liquid waste. The spoil soil shall be stock piled around the public toilet for further use in landscaping the site at the end of the project.

### 6.2.1 Liquid waste management

A total of 0.5m<sup>3</sup> per day of liquid waste is estimated to be generated from temporary lined pit latrines during construction phase. The project construction and operations will conform to the National Effluent Standard of Tanzania which includes pre-treatment through septic tanks before emptying and transportation of sewage to the nearby treatment facility preferably Kurasini WSP. After the sewage treatment process is done, the effluent which is rich in nutrients is expected to cater for irrigation activities adjacent to the treatment facility. However, in case the nutritious effluent is not used for irrigation, there is a possibility of discharging direct to the receiving water body.

### 6.2.2 Solid waste management

About 50-100Kg per month of domestic refuse and other solid wastes is estimated to be generated during the construction phase. A well-established solid waste collection system will be instituted. The system will involve among other things wastes segregation at source, recycling or reuse of some wastes and final disposal to the approved dumpsite / landfill.

The project management team will provide waste bins and recycling receptacles of different type to enable sorting. Compostable materials will be sent direct to the city dumpsite area. Table 3 below shows solid and liquid waste wastes to be generated by the project and the methods of their disposal.

**Table 4: Management of construction and operation wastes**

Solid waste			
Type of waste	Sources	Estimated Quantity (Kg)	Disposal / Management procedure
Debris and Rubble (overburden)	Site clearance	3,000-5,000	Fill material for road potholes, etc.
Biodegradable materials mainly domestic waste (food, paper, wood etc.)	- Construction crew	(50-100Kg) per Month	Accessible litter bins within the camp site and later to the city waste disposal system (engage a registered private

			company), Final disposal will be at Pugu Kinyamwezi dumpsite
Non-biodegradable materials (plastic, glass)	- Construction crew	(2-5) kg per day	Recycling/ reuse (Plastics to be sent to authorised plastic recyclers and glass bottles and scrape to be sent to the recyclers)
Hazardous waste, Scrap metals	- Worn out Machinery parts and other metal cuttings	(10-15) per day	Sold to authorised Scrap metal and waste oil dealers respectively
<b>Liquid waste</b>			
<b>Type of waste</b>	<b>Sources</b>	<b>Estimated Quantity (m<sup>3</sup>) per day</b>	<b>Disposal / Management procedure</b>
- Excreta (domestic) human - Grey water /cleaners	- Toilets and floor cleaning	1.6	Use of septic tanks and when full will empty to the wastewater treatment facility ie Toangoma FSTP
- Oils and greases	Machinery parts and trucks	- None	- Car maintenance will be done at proper garages

---

## **7.0 POTENTIAL IMPACTS**

### **7.1 Mobilization Phase**

#### **7.1.1 Positive impacts**

##### **7.1.1.1 Employment opportunities**

Labour force for the project will be originated from Kigamboni ward and the surrounding communities. Even though during construction the employment will be on short term basis, employees will have been benefiting from the project. Some will witness their incomes and family level of life improved.

#### **7.1.2 Negative impacts**

##### **7.1.2.1 Noise pollution**

Noise pollution is likely to occur due to the application of construction equipment and generators at the site.

#### **Mitigation Measure**

- The proponent shall maintain equipment in good running conditions to ensure that ambient noise level and vibrations pollution into the environment is very minimum to comply with Tanzania standards.
- The noisy construction activities will be scheduled at normal working hours. Regular inspection and maintenance of construction vehicles and equipment will be done to ensure that they have mufflers installed and worn parts are replaced

##### **7.1.2.2 Air Pollution from dust emission**

Air pollution is likely to occur due to the emission of suspended particulate matter (dust) to the atmosphere from the construction activities.

### **Mitigation Measure**

- Mixing equipment shall be sealed properly and vibrating equipment will be equipped with dust removing devices.
- Also all vehicles that generate excessive black smoke will not be used.
- Adequate training and use of personal protective equipment (PPE) such as eye glasses and dust masks will be ensured in order to reduce risks associated with dust.

## **7.2 Construction Phase**

### **7.2.1 Positive Impacts**

#### **7.2.1.1 Employment opportunities**

Labour force for the project will be originated from Kigamboni ward and the surrounding communities particularly business people using the Kigamboni Mtaa. Even though during construction the employment will be on short term basis, employees will have been benefiting from the project. Some will witness their incomes and family level of life improved.

#### **7.2.1.2 Improved public health**

In crowded areas particularly Kigamboni Mtaa, it is normally hard to ensure safety to public health without the establishment of sound infrastructures. With the public toilet at crowded areas like markets and bus stands which offers a number of services under one umbrella, it is anticipated that the general health condition will not be endangered from health risks.

### **7.2.1.3 Increased socio-cultural interaction**

Increased socio-cultural interaction is another anticipated positive impact. The implementation of the project will bring many people from different cultural backgrounds. The interactions may bring about social changes in the communities around the project areas. Interaction with technocrats as a result of new immigrants (customers) into the area will stimulate adoption of the new technologies.

### **7.2.1.4 Increased Revenue to the nation through taxes, both direct and indirect**

The public toilet facility constructed by DAWASA is expected to be operated by the Kigamboni Municipal. Therefore, it is expected to increase government revenue collection at Municipal and at National level. This will be enhanced by time-to-time payment of service by users. The revenue collected will contribute towards economic development within the municipal and the country at large.

## **7.2.2 Negative impacts**

### **7.2.2.1 Increased HIV/AIDS and other sexual related diseases:**

Local communities surrounding the project area have to be aware of the fact that HIV/AIDS is present in their areas but accede to it not being at an alarming rate. The communities were worried that with an influx of people into the project area the pace of spread will accelerate especially during the construction phase.

#### **Mitigation Measures**

- Contractor shall enforce a code of conduct in the project area to encourage respect for the local community and to maintain self-cleanliness of the working area at all times.
- In order to prevent more HIV/AIDS infection, during the implementation phase, the project should include information education and

communication component (IEC) in its budget. This will help to raise more awareness on HIV/AIDS, and means to suppress its incidence.

- A safety, health and environment induction course shall be conducted to all workers, putting more emphasis on HIV/AIDS, which has become a national disaster.

#### **7.2.2.2 Destruction and infringement of properties**

Within and adjacent to the proposed project site there are small and temporary structures made from wood nailed with steel sheets and solid waste collection point. Such temporary structures accommodate the existing small businesses especially food vendors (*Mamantilie*), shops, kiosks and mini-supermarkets. Therefore, construction of the Public toilet might necessitate the destruction of such facilities.

#### **Mitigation Measures**

- Close supervision of construction works shall be observed in order to confine land clearance within the area where the construction activities are to take place to avoid unnecessary demolition.

#### **7.2.2.3 Noise pollution**

Noise pollution is likely to occur due to the application of construction equipment and generators at the site.

#### **Mitigation Measure**

- The proponent shall maintain equipment in good running conditions to ensure that ambient noise level and vibrations pollution into the environment is very minimum to comply with Tanzania standards
  - The noisy construction activities will be scheduled at normal working hours. Regular inspection and maintenance of construction vehicles and
-

equipment will be done to ensure that they have mufflers installed and worn parts are replaced

#### **7.2.2.4 Air Pollution from dust emission**

Air pollution is likely to occur due to the emission of suspended particulate matter (dust) to the atmosphere from the construction activities.

#### **Mitigation Measure**

- Mixing equipment shall be sealed properly and vibrating equipment will be equipped with dust removing devices.
- Also all vehicles that generate excessive black smoke will not be used.
- Adequate training and use of personal protective equipment (PPE) such as eye glasses and dust masks will be ensured in order to reduce risks associated with dust.

#### **7.2.2.5 Potential communicable diseases transmission**

Many people from different places and of different health status will be using the toilet. This creates a premise for potential transmission of different communicable diseases of wide range including diarrheas, typhoid, COVID-19 etc.

#### **Mitigation measures**

- Ensure supply of adequate provisions like water, toilet papers, soaps, disinfectants etc
- Maintain high level of cleanliness
- Install guidelines on the usage of toilets

#### **7.2.2.6 Risk of flooding**

Inadequate attention to the public toilet may render the facility a liability to adjacent land users and businesses. Drainage system blockage due to misuse of toilet can be a source of sewage overflows and hence the area around becoming a nuisance to people. Overflowing sewage will produce awful smell of decomposing organic matter that lowers the air quality in the vicinity. Experience shows that, abandoned public toilets in Tanzania easily become centers for vagabond boys to plan evil acts in the society.

#### **Mitigation measures**

- The developer to ensure adequate supply of the facility's cleanliness provisions
- Adhere to good maintenance
- Timely desludging

#### **7.2.2.7 High Risk of Health associated with construction work**

Construction activities exposes the workers to a lot of risks for example risk of falling into the excavated pits more than 3metres deep, risk of injuries from falling objects or sharp pointed objects e.t.c

#### **Mitigation measure**

- The project proponent shall ensure that all personnel are provided with appropriate protective gear.
- All works shall be planned and conducted in accordance with relevant OHS Guidelines. First Aid Kit as well as regular medical check-ups for the workers will be provided during the entire working hours.
- Adequate number of firefighting equipment/extinguishers will be provided in every few distance to help putting off fire in case of occurrence.

- First aid kit and personnel, fixing of protective barrier/net for upper floors to prevent falling materials from upstairs, provision of exist routes and signage.
- Excavated pits should be protected by warning tape and guardrails to prevent workers from falling

#### **7.2.2.8 Waste generation during construction**

A lot of waste will be generated especially during construction stage. For example, excavation of foundations will generate a lot of spoil materials that will need to be disposed of, masonry work, carpentry work and painting work. Construction of walls and roof will both generate wastes. Other wastes will be generated from cleaning of construction equipment and containers like mixers and paint buckets.

##### **Mitigation measures:**

- Stick to the design specifications
- Provide waste containers
- Provide training to workers and orient them towards environmental protection values

#### **7.2.2.9 Groundwater contamination from soil sterilization**

Ground water contamination from soil sterilization chemicals is likely to occur because some of the chemicals listed above are toxic to animal and plant life.

##### **Mitigation measures:**

- Stick to the design specifications
- Chemicals must be applied only with caution by an experienced person
- Treatment shall not be made when soils of fill are excessively wet or immediately after heavy rain.

- Precautions must also be taken to prevent disturbance of the treatment by animals or human contact with the treated soil.
- The treated area is to be covered as quickly as possible after treatment.
- The rate of application is to be 5 litres per square metre and the areas measured include those under floor and round wall and column foundations.

### **7.3 Operation Phase**

#### **7.3.1 Positive Impacts**

##### **7.3.1.1 Improved social-economic livelihood and dignity within the beneficiary society**

The project will improve the living conditions in Kigamboni Municipal specifically at Kigamboni Mtaa whereby the project operation phase will do away with open defecation and urination. Thus, there will be increased money circulation that result into increased income consequently better standard of living of people in the project area.

##### **7.3.1.2 Increased Revenue to the nation through taxes, both direct and indirect**

Kigamboni Municipal is expected to increase its revenue collection on implementing this project. This will be through daily payment of facility usage services by the respective customer. The revenue collected will contribute towards implementation of other development projects.

#### **7.3.2 Negative Impacts**

##### **7.3.2.1 Smells and flies in toilets**

Inadequate attention to the public toilet may render the facility a liability to adjacent land users and businesses. Drainage system blockage due to misuse of toilet can be a source of sewage overflows and hence the area around becoming a nuisance to people. Overflowing sewage will produce awful smell of decomposing organic matter that lowers the air quality in the vicinity.

---

Experience shows that, abandoned public toilets in Tanzania easily become centers for vagabond boys to plan evil acts in the society.

Also presence of flies is likely to accelerate transmission of communicable diseases.

**Mitigation measures**

- The developer to ensure adequate supply of provisions
- Adhere to good maintenance and good housekeeping
- Timely desludging

**7.3.2.2 High Risk of Health associated with operational work**

The operational of the constructed public toilets exposes the users to some of risks for example risk of waterborne and airborne diseases like COVID-19 etc.

**Mitigation measure**

- The project proponent shall ensure that all personnel are provided with appropriate protective gear.
- The proponent shall ensure that the users are provided with alternative measures on prevention of diseases like hand washing basins and tippy tap.
- Adequate number of firefighting equipment/extinguishers will be provided in every few distance to help putting off fire in case of occurrence.
- The areas with septic systems will be provided with fences to ensure safety to the users.

## **7.4 ACTION PLAN FOR PREVENTION AND MANAGEMENT OF ACCIDENTS DURING IMPLEMENTATION STAGE**

The project shall be implemented in compliance to labour laws in Tanzania, in particular, the Occupational Health and Safety Act (2003). Clauses to protect the health and safety of workers shall be included in the contract documents for implementation stage.

### **7.4.1 Health and Safety**

The proponent is committed to protect the health and safety of its employees and those of its contractors, to ensuring that activities are conducted in a manner that protects the environment and people. The Contractor shall provide and enforce the use of appropriate personal protective equipment for all workers e.g. overalls, gloves, masks, etc. (wherever required). Tanzanian/international construction standards will be followed for quality and safety to workers. First aid facility will be installed at the construction site.

### **7.4.2 Security**

The whole proposed project will take care of security matter of the site by fencing the whole project area and provide gates for entrance and exit purpose. The project proponent shall have a 24 hours security services from a private company to secure the whole project premise at the site. Also since the nature of investment will a number of people during construction phase. The project proponent will ensure the best firefighting system is available at site. The purpose of fire protection is to protect life, good and activities within the project site.

The following are some of the active and passive fire fighting equipment that will be employed;

- Portable Fire Extinguishers

### **7.4.3 Monitoring, Maintenance and repair**

The management of the facility will be upon both DAWASA and Kigamboni Municipal Council to ensure the approved design or plan is implemented accordingly. Furthermore, provision of basic services is being executed at high quality as intended for. However, the facility users will also have to ensure they are responsible with the common matters such as general cleanliness of the facility through; thorough flushing after use, avoid disposing diapers and littering within the toilet sink, paying service fees, etc

## **8.0 ENVIRONMENTAL AND SOCIAL MANAGEMENT PLAN**

### **8.1 Environmental and Social Management Plan**

The Environmental and Social Management Plan (ESMP) presents the implementation schedule of the proposed mitigation measures for both environmental and social impacts. The ESMP for the proposed Construction of Public Toilet at Kigamboni WEO office Plots summarized in Table 4. The ESMP also indicates environmental costs needed to implement the recommended mitigation measures. The public toilet site selection process and engineering designs have already included some of the mitigation measures recommended in this report. Additional recommendations are provided in the ESMP to enable the public toilet to be constructed and operated in environmentally friendly manner.

DAWASA in collaboration with Kigamboni Municipality shall be the main implementer of the ESMP throughout the project cycle as they are the project owners. The environmental measures incorporated in the detailed engineering design will be attached to the Bills of Quantities and Contract Documents. Moreover, there will be an Environmental, Social, Health and Safety (ESHS) Code of Conduct to be signed by the Contractor(s) to show their commitment in the implementation of the Environmental, Social, Health and Safety. The implementation of the Code will be supervised by DAWASA or his consultant.

---

The ESHS Code is a set of Guidelines attached to the Bidding Document and Contract to be adopted by Contractor during project implementation. It contains the commitment and obligations of the Contractor and its subsidiaries (i.e. Sub-Contractors and staff) to undertake construction activities in accordance with all applicable Laws, Rules, and Regulations. The Contractor and its subsidiaries shall comply with the Code of Conduct with high ethical standards. Failure to observe the Code, will subject the firm to disciplinary action, including Contract termination. Violation of the Code, is violation of Law which may result to civil and/or criminal penalties to Contractors, Supervisors or Firm.

Some of the issues to be included in the ESHS shall include;

- Site specific **ESMP, HSMP,**
- Traffic Management Plan (**TMP**), **where applicable**
- HIV/AIDS Awareness Program,
- Occupational Health and Safety Awareness Program.
- Sexual Harassment Prevention Policy
- Child Labour Prevention Policy

The environmental and social mitigation and enhancement measures incorporated in the detailed engineering design will be attached to the Contract Documents. The Contractor shall take stock of the contents of the Project Brief.

**Table 5: Environmental and Social Management Plan for the Proposed Construction of Public Toilet at Kigamboni WEO office Plot, Kigamboni ward, Kigamboni Municipal**

Impact	Mitigation Measure	Responsible Institution	Estimated One Time Cost (TZS)	Estimated Annual cost (TZS)
Increased waste generation	<ul style="list-style-type: none"> <li>○ Stick to the design specifications</li> <li>○ Provide waste containers</li> <li>○ Provide training to workers and orient them towards environmental protection values</li> </ul>	Contractor/DAWASA/Kigamboni Municipal Council	To be included in the BOQ	
Increased HIV/AIDS and other STD	<ul style="list-style-type: none"> <li>○ Contractor shall enforce a code of conduct in the project area to encourage respect for the local community and to maintain self-cleanliness of the working area at all times.</li> <li>○ The contractor shall deploy locally available labour to reduce risk of spreading communicable diseases (especially STDs).</li> </ul>	Contractor/DAWASA/Kigamboni Municipal Council	500,000.00	

Impact	Mitigation Measure	Responsible Institution	Estimated One Time Cost (TZS)	Estimated Annual cost (TZS)
	<ul style="list-style-type: none"> <li>○ In order to prevent more HIV/AIDS infection, during the implementation phase, the project should include information education and communication component (IEC) in its budget. This will help to raise more awareness on HIV/AIDS, and means to suppress its incidence.</li>   <li>○ A safety, health and environment induction course shall be conducted to all workers, putting more emphasis on HIV/AIDS, which has become a national disaster.</li> </ul>			

---

**Comprehensive Project Brief of the Proposed Public Toilet at Kigamboni WEO Office**

<b>Impact</b>	<b>Mitigation Measure</b>	<b>Responsible Institution</b>	<b>Estimated One Time Cost (TZS)</b>	<b>Estimated Annual cost (TZS)</b>
Destruction and infringement on properties	Close supervision of constructions	Contractor/DAWASA	To be included in the BOQ	
Land degradation and increased erosion	<ul style="list-style-type: none"> <li>o The contractor should Plant vertiver grasses to minimize exposed soil surface.</li> <li>o To obtain the construction materials official negotiated should be performed with wards leaders in order to avoid conflict.</li> </ul>	Contractor/DAWASA/Kigamboni Municipal Council	25,000,000	
Loss of biodiversity	<ul style="list-style-type: none"> <li>o Close supervision of earthworks shall be observed in order to confine land clearance within the site vicinity.</li> <li>o The contractor shall be instructed to give the uprooted trees/thickets in the area to the villagers provided he does not</li> </ul>	Contractor/DAWASA/Kigamboni Municipal Council	80,000,000	

**Comprehensive Project Brief of the Proposed Public Toilet at Kigamboni WEO Office**

<b>Impact</b>	<b>Mitigation Measure</b>	<b>Responsible Institution</b>	<b>Estimated One Time Cost (TZS)</b>	<b>Estimated Annual cost (TZS)</b>
	contravene the Forest Acts 2002.			
Noise pollution during construction	<ul style="list-style-type: none"> <li>○ The proponent shall maintain equipment in good running conditions to ensure that ambient noise level and vibrations pollution into the environment is very minimum to comply with Tanzania standards</li> <li>○ All construction works will be scheduled at normal working hours.</li> <li>○ Proper inspection and maintenance of construction vehicles and equipment will be done to ensure that they have mufflers installed and worn parts are replaced</li> </ul>	Contractor/DAWASA/	200,000.00	
Dust generation during construction	<ul style="list-style-type: none"> <li>○ Mixing equipment shall be sealed properly and vibrating equipment will</li> </ul>	Contractor/DAWASA	300,000.00	

**Comprehensive Project Brief of the Proposed Public Toilet at Kigamboni WEO Office**

Impact	Mitigation Measure	Responsible Institution	Estimated One Time Cost (TZS)	Estimated Annual cost (TZS)
	<p>be equipped with dust removing devices.</p> <ul style="list-style-type: none"> <li>○ Also all vehicles that generate excessive black smoke will not be used.</li> <li>○ Adequate training and use of personal protective equipment (PPE) such as eye glasses and dust masks will be ensured in order to reduce risks associated with dust.</li> </ul>			
Health Risks associated with construction works	<ul style="list-style-type: none"> <li>○ The project proponent shall ensure that all personnel are provided with appropriate protective gear.</li> <li>○ All works shall be planned and conducted in accordance with relevant OHS Guidelines. First Aid Kit</li> </ul>	Contractor/DAWASA/Kigamboni Municipal Council	300,000.00	

Impact	Mitigation Measure	Responsible Institution	Estimated One Time Cost (TZS)	Estimated Annual cost (TZS)
	<p>as well as regular medical check-ups for the workers will be provided during the entire working hours.</p> <ul style="list-style-type: none"> <li>○ Adequate number of firefighting equipment/extinguishers will be provided in every few distance to help putting off fire in case of occurrence.</li> <li>○ Excavated pits should be protected by warning tape and guardrails to prevent workers from falling</li> <li>○ The developer to ensure adequate supply of provisions</li> <li>○ Adhere to good maintenance</li> </ul>			

**Comprehensive Project Brief of the Proposed Public Toilet at Kigamboni WEO Office**

<b>Impact</b>	<b>Mitigation Measure</b>	<b>Responsible Institution</b>	<b>Estimated One Time Cost (TZS)</b>	<b>Estimated Annual cost (TZS)</b>
Potential communicable diseases transmission	<ul style="list-style-type: none"> <li>○ Ensure supply of adequate provisions like water, toilet papers, soaps, disinfectants etc</li> <li>○ Maintain high level of cleanliness</li> <li>○ Install guidelines on the usage of toilets</li> </ul>	DAWASA/Kigamboni Municipal Council		10,000,000.00
Potential Smells and flies	<ul style="list-style-type: none"> <li>○ The developer to ensure adequate supply of provisions</li> <li>○ Adhere to good maintenance</li> <li>○ Timely desludging</li> </ul>	DAWASA/Kigamboni Municipal Council		Included in above
<b>Total</b>			<b>106,300,000.00</b>	<b>10,000,000.00</b>

## **9.0 MONITORING PLAN**

### **9.1 Environmental Monitoring**

The national EIA guidelines require the developer to prepare and undertake monitoring plan of implemented development projects. Monitoring is needed to check if and to what extent the impacts are mitigated, benefits enhanced and new problems addressed. Recommendations for monitoring have been included in the Table 5. The monitoring plan also assigns responsibilities for different actors. Moreover, the ward and street environmental committees will shoulder the long-term monitoring of the project.

**Table 6: Monitoring Plan for the Proposed Construction of Public Toilet at Kigamboni WEO office Plot, Kigamboni ward, Kigamboni Municipal**

Parameter	Monitoring Frequency	Sampling Area	Measurement Unit	Method	Target Level/Standard	Responsibility for monitoring	Estimated Annual (or once cost) (TZS)
<b>Mobilization Phase</b>							
Dust	Daily	Immediate working area	ppm	Physical-visual	TBS	Contractor	None
Air Quality	Daily	Around the Inspection chambers	µg/m <sup>3</sup>	Smelling (nasal)	TBS	Contractor /Kigamboni Municipal Council	2,500,000.00
Waste Generation	Weekly	At the working area	Amount of waste	Physical measurement or estimation	All waste contained	Contractor/Kigamboni Municipal Council	In BOQ
Health risks	Daily	At working area	Accidents	Counting	NO accident	Contractor/DAWASA/ Kigamboni Municipal Council	In BOQ

**Comprehensive Project Brief of the Proposed Public Toilet at Kigamboni WEO Office**

<b>Parameter</b>	<b>Monitoring Frequency</b>	<b>Sampling Area</b>	<b>Measurement Unit</b>	<b>Method</b>	<b>Target Level/Standard</b>	<b>Responsibility for monitoring</b>	<b>Estimated Annual (or once cost (TZS)</b>
HIV/AIDS	Monthly	Workers	Training	Numbers	One per month during construction phase only	Contractor/Kigamboni Ward/DAWASA/Kigamboni Municipal Council	5,000,000.00
Biodiversity	Once (at commencement)	Working area	Destruction of habitat or removal of biodiversity	Area affected	Minimal disturbance to biodiversity	Contractor	1,000,000.00
<b>Construction phase</b>							
Dust (PM 2.5, PM 10)	Weekly	Immediate working area	ppm	Physical-visual	tbs	Contractor	None

**Comprehensive Project Brief of the Proposed Public Toilet at Kigamboni WEO Office**

<b>Parameter</b>	<b>Monitoring Frequency</b>	<b>Sampling Area</b>	<b>Measurement Unit</b>	<b>Method</b>	<b>Target Level/Standard</b>	<b>Responsibility for monitoring</b>	<b>Estimated Annual (or once cost (TZS)</b>
Air Quality	Weekly	Around the Inspection chambers	µg/m <sup>3</sup>	Smelling (nasal)	TBS	Contractor /Kigamboni Municipal Council	2,500,000.00
Waste Generation	Weekly	At the working area	Amount of waste	Physical measurement or estimation	All waste contained	Contractor/DAWASA/ Kigamboni Municipal Council	In BOQ
Health risks	Daily	At working area	Accidents	Counting	NO accident	Contractor/DAWASA/ Kigamboni Municipal Council	In BOQ
HIV/AIDS	Monthly	Workers	Training	Numbers	One per month during construction phase only	Contractor/DAWASA/ Kigamboni Municipal Council	5,000,000.00
Biodiversity	Once (at commencement)	Working area	Destruction of habitat or	Area affected	Minimal disturbance to biodiversity	Contractor/DAWASA/ Kigamboni Municipal Council	1,000,000.00

**Comprehensive Project Brief of the Proposed Public Toilet at Kigamboni WEO Office**

Parameter	Monitoring Frequency	Sampling Area	Measurement Unit	Method	Target Level/Standard	Responsibility for monitoring	Estimated Annual (or once cost (TZS)
			removal of biodiversity				
<b>Demobilization Phase</b>							
Dust (PM 2.5, PM 10)	Weekly	Immediate working area	ppm	Physical-visual	TBS	Contractor	None
Air Quality	Weekly	Around the Inspection chambers	µg/m <sup>3</sup>	Smelling (nasal)	TBS	Contractor	500,000.00
Waste Generation	Weekly	At the working area	Amount of waste	Physical measurement or estimation	All waste contained	Contractor	In BOQ

**Comprehensive Project Brief of the Proposed Public Toilet at Kigamboni WEO Office**

<b>Parameter</b>	<b>Monitoring Frequency</b>	<b>Sampling Area</b>	<b>Measurement Unit</b>	<b>Method</b>	<b>Target Level/Standard</b>	<b>Responsibility for monitoring</b>	<b>Estimated Annual (or once cost (TZS)</b>
Health risks	Daily	At working area	Accidents	Counting	NO accident	Contractor	In BOQ
HIV/AIDS	Monthly	Workers	Training	Numbers	One per month during construction phase only	Contractor	5,000,000.00
Biodiversity	Once (at commencement)	Working area	Destruction of habitat or removal of biodiversity	Area affected	Minimal disturbance to biodiversity	Contractor	1,000,000.00
<b>Operation phase</b>							

**Comprehensive Project Brief of the Proposed Public Toilet at Kigamboni WEO Office**

<b>Parameter</b>	<b>Monitoring Frequency</b>	<b>Sampling Area</b>	<b>Measurement Unit</b>	<b>Method</b>	<b>Target Level/Standard</b>	<b>Responsibility for monitoring</b>	<b>Estimated Annual (or once cost (TZS)</b>
Air Quality	Monthly	Around the Inspection chambers	µg/m <sup>3</sup>	Smelling (nasal)	Absence of nuisance smells	Kigamboni Municipal Council	500,000.00
Waste Generation	Monthly	At the working area	Amount of waste	Physical measurement or estimation	All waste contained	Kigamboni Municipal Council	In operation manual
Health risks	Monthly	At working area	Accidents	Counting	NO accident	Kigamboni Municipal Council	In operation manual
HIV/AIDS	Annually	Workers	Training	Numbers	One per month during construction phase only	Kigamboni Municipal Council	In operation manual
<b>Total</b>							<b>24,000,000.00</b>

## 10.0 PROJECT BUDGET

The investment cost for the proposed Public Toilet is estimated to be around Tshs. 45 Million that will be financed by the World Bank.

## 11.0 STAKEHOLDER VIEWS ON THE PROPOSED PROJECT

During the conduction of this study, different stakeholders were consulted. Among these include the Kigamboni Municipal Council and community at Kigamboni WEO office (see Figure 7). Consultations were made through meetings.



Figure 7: Stakeholder's consultation meeting at Kigamboni WEO office Plot

During the meeting, the consultant gave a brief explanation on the proposed public toilet. The project description covered proposed location, type and design of toilet (a typical design was displayed), construction materials, faecal sludge emptying and disposal. The stakeholders were given chance give their views

on the project. Moreover, the consultant offered chance to clarify issues where stakeholders wanted to be given more explanations. The comments by stakeholders were analyzed and incorporated in the design of mitigation measures. Table 6 summarizes the issues raised. The names of the stakeholders consulted are given in Appendix I, whereas the minutes of stakeholders' consultation meetings are given in appendix II.

**Table 7: Stakeholders issues and concerns**

<b>Institution</b>	<b>Name</b>	<b>Position</b>	<b>Issues/ concerns</b>
KIGAMBONI MUNICIPAL COUNCIL	Arch. Ng'wilabuzu N. Lugigija	Municipal Director, MD	-Additional of Public toilets from 7 to 8 -The design and ESIA studies should complete timely to pave way for Construction activities -The Local community should be Sensitized on the benefits of the proposed facilities
KIGAMBONI MUNICIPAL COUNCIL	Bachi Shayo	Ag. DMO	-The implementation of the project will enhance development
KIGAMBONI MUNICIPAL COUNCIL	Rajab Gundumu	Estate Manager	-The location of Municipal Director's office is expected to have a number of facilities like; Police station, Bus stand, Health Center. It is taken as the Centre of the Municipal -Vijibweni and Tungi should be incorporated in the design since the Waste water I a serious alarming problem
KIGAMBONI MUNICIPAL COUNCIL	Veronica J Kiluvia	Ag. MCDO	-Wanted to know why the proposed sites and not other places?
KIGAMBONI MUNICIPAL COUNCIL	Wenceslaus Lindi	MAHRO	-Due to the Centeredness of the Municipal Simplified Sewerage System should be put in place

**Comprehensive Project Brief of the Proposed Public Toilet at Kigamboni WEO Office**

<b>Institution</b>	<b>Name</b>	<b>Position</b>	<b>Issues/ concerns</b>
KIGAMBONI WARD	Nasibulssa	Resident	-Asked about the accessibility of the facilities to the local people
KIGAMBONI WARD	Frank C. Mtairo	Resident	-Frequent availability of water for the facility should be ensured -Open urination to the corer and dark spots will be minimized by the facility
KIGAMBONI WARD	Abbas M. Makumba	Mtaa Chairperson	-The Public toilet project will generate revenue to the Government from fines imposed on open urination -Wanted to know the operation management of the facility after construction -Most usable toilets are Pit latrines despite the plenty availability of piped water
KIGAMBONI WARD	Hilary Hamis Saidi	Resident	-Wanted to know the operational hours of the facility in each day of the week
KIGAMBONI WARD	Nobert C. Nestory	WEO Kigamboni	-The efficiency of Solid waste contractors awarded the contract by MD office to collect solid waste is highly questionable -SW collection delays have been experienced from the Contractor -Solid waste collection charges are bearable and ranges from 2,000 to 15,000 depending on the generation rate

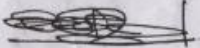

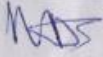
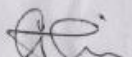
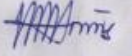
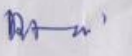
## References

1. Bicknell, J.; Dodman, D., and Satterthwaite, D., (eds.), 2009. Adapting Cities to Climate Change: Understanding and Addressing the Development Challenges. London, UK: Earthscan, 397p.
2. Investment profile of Kigamboni Municipal council
3. Nicholls, R.J., Wong, P.P., Burkett, V.R., Codignotto, J.O., Hay, J.E., McLean, R.F., Ragoonaden, S. and Woodroffe, C.D. 2007. Coastal systems and low-lying areas. In: M.L. Parry, O.F. Canziani, J.P. Palutikof, P.J. van der Linden, and C.E. Hanson, (Eds), Climate Change 2007: Impacts, Adaptation and Vulnerability. Contribution of Working Group II to the Fourth Assessment Report of the Intergovernmental Panel on Climate Change, Cambridge University Press, Cambridge, UK, p. 315-356.
4. Population and Assets Exposure to Coastal Flooding in Dar es Salaam (Tanzania): Vulnerability to Climate Extremes
5. Kigamboni Municipal Socio-economic profile 2010/2011

Appendix I: List of Stakeholders Consulted


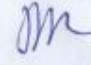

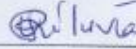


**ENVIRONMENTAL AND SOCIAL IMPACT ASSESSMENT FOR CONSTRUCTION OF OFF GRID SANITATION PROJECTS,  
DAR ES SALAAM**

**LIST OF STAKEHOLDERS CONSULTED**

SN	DATE/TAREHE	NAME/JINA	INSTITUTION/TAASISI	POSITION/CHEO	PHONE NO./SIMU	SIGNATURE/SAINI
01	24/06/2020	Ash. Ng'wilaburu N. Ludigija	Kigamboni MC	MO	0787673249	
2	- 11 -	IP Nira W. Mwakalingi	- 11 -	MUNRO	0786236363	
3		Magdalena D. Mamondo	- 11 -	MELO	0754248103	
4	- 1 -	GEORGE I KAGHA	- 11 -	AFISA MIPANGO MSI	0713577973	
5		JANUARY AMES	- 11 -	AFISA MALIAGH	0677770619	
6	- 11 -	REGINA ROS Rupia	- 11 -	DEPT MA ARAM	0715638786	




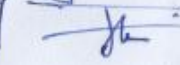


ENVIRONMENTAL AND SOCIAL IMPACT ASSESSMENT FOR CONSTRUCTION OF OFF GRID SANITATION PROJECTS,  
DAR ES SALAAM

LIST OF STAKEHOLDERS CONSULTED

SN	DATE/TAREHE	NAME/JINA	INSTITUTION/TAASISI	POSITION/CHEO	PHONE NO./SIMU	SIGNATURE/SAINI
1	26/6/2020	CHLEAH MUSSE	Kigamboni MC	MPSD	0784 309457	
2	26/6/2020	WENCESLAUS LINDI	KIGAMBONI MC	078217373 MATHRO	0718217373	
3	-11-	CATHERINE MASHALI	KIGAMBONI MC	MPED	0784270334	
4	-11-	VERONICA J. KILUVIA	KIGAMBONI	AGMEDO	0779-366245	
5	-11-	BACHI SHAYO	KIGAMBONI MC	As Dmo	0754596529	
6	-11-	Rajab Gundeimu	Kigamboni MC	Estate Manager	0783556214	

ENVIRONMENTAL AND SOCIAL IMPACT ASSESSMENT FOR CONSTRUCTION OF OFF GRID SANITATION PROJECTS,  
DAR ES SALAAM

LIST OF STAKEHOLDERS CONSULTED

SN	DATE/TAREHE	NAME/JINA	INSTITUTION/TAASISI	POSITION/CHEO	PHONE NO./SIMU	SIGNATURE/SAINI
1	26/06/2020	<del>EDWIN KATISA</del>	KEMC	TD	2717-575743	
2	26/6/2020	Jenaraap Meshi	KEMC	MT	0714774511	
03	27/06/2020	Nderi C. Nestory	KEMC	WEO - Kigamboni	0714349251	
04	30/6/2020	JUDITH MBOMBA	KHC	H/S	0786669259	
05	30/06/20	SAID MUMBA	KHC	ACCY	0753468362	
06	30/06/20	MARIAM	HAUT	GENERAL AFFAIR	0713 288366	

Appendix II. Minutes of stakeholders' consultation meetings

<p>TATHIIMINI YA ATHARI KWA MAZINGIRA NA JAMII NA                  UHABARIJISHAJI KWA JAMII KUHUSU MPANGO WA MAKAZI                  MBADALA NA FIDIA ZITOKANAZO NA MRADI WA UJENZI                  NA MIUNDOMBINU YA UCHALATAJI MASI TAKA NA                  VYOO VYA UMMA Mkoa wa DAR-ES-SALAAM (KIGAMBONI)</p>	
<p>27/06/2020</p>	
1.	KUFUNGUUA KIKAO
2.	MAELEZO KUHUSU MRADI
3.	MASWALI/MAONI KUTOKA KWA WADALI
4.	KUHAIRISHA KIKAO
5.	KUFUNGUUA KIKAO
<p>Kikao kilifunguliwa unawo saa 5.00 asobohina kwenye kit                  wa kikao ndugu Abbas Mahumba na kuwakaibisha                  wageni wataabani kutoka kampuni ya Royal Associates                  Engineering sv G. Pes Ltd na Mwekezaji ni DAWASA.</p>	
2.	MAELEZO KUHUSU MRADI
<p>Mwandishi Mshauri ndugu Emmanuel Rajab Mhandisi                  upande wa Mazingira alisema hivadi hii lengo lake                  kubwa ni kunyafisha wanandi kwa kupata huduma                  ya choo cha umma kwa wanandi wanaozunguka                  maeneo haya, hivyo kumejika kutambulisha huu mradi                  kwani japo maeneo lengwa haswa ni sehemu za senkaki                  na manispaa ila endapo itadokea choo kitawekwa katta                  nyumba ya mtu ama makazi ya wake, wanandi                  hao watakaathirika na huu mradi wataombwa                  kupisha mradi na kupewa makazi mbadala.</p>	
<p>Mtaabani ndugu Robert Kishiki alisimama na                  kusema tupo hapa kwa lengo la kutambulisha                  Mradi wa vyoo hivyo tinaomba maoni yenu je                  unna uhaoni gani na Maswali gani</p>	



Ujuzi wa vyoo zitasaidia kuweka mazingira safi.

### 3. MASWALI / MAONI KUTOIKA KWA WADALI

Nasib Issa - aliliza je vyoo njia na ulango wa -  
kuingilia ni wapi?

Emmanuel Rajab alijibu kutakuwa na designing ambayo  
itaonesha.

Frank C. Mtahiro - aliliza eneo hili kuna wananchi  
wengi na Swala la huduma ya choo ni muhi na  
wananchi watalipokea ita tinaomba huduma ya  
maji ipatikane ukaote.

Abbas Mwambo - alishukuru mradi kuletwa kwenye  
eneo hili hivyo ujuzi wa choo ni muhimu sana na  
itakata waji katika maeneo yetu. Na je choo  
kikuwa lafasi kitarimamiwa na nani?

Mtaalamu ndugu Robert Kishiki alijibu Mradi huo  
unatarimamiwa na Manispaa ya Kigamboni na kutaku  
wa na utarakibu wa kusimamia haya mambo.

Larry Amis Said - alishukuru kwa choo katika eneo  
hili. Je swali ni choo kitakuwa na huduma asubuhi  
mpaka jioni ama itakuwaje?

Mtaalamu alijibu uwezekano huo upo wa masaa  
24 ikiwa tarakibu husika rinafatwa.

Mtaalamu ndugu Emmanuel Rajab aliliza aina  
ya vyoo wanavyotemba na wananchi walijibu  
wanatemia vyoo vya shimo ndio vinatumika  
kwa asilimia kubwa.

Nasib kisa - aliomba hicho chuo kitelekezwe mapema  
tusijekuka kikao na kikaachikawa kujengwa hivyo  
tunaomba chuo kijengwe kwa wakati visichideme  
shwe.

4. KUATHIRISHA KIKAO

Kikao kitaliwa na mwenyekiti unamo uwa  
wa saa 6.30 mchana -

Sahibi ya Mwenyekiti

ABDAS S. MAKUMBA



0786-776092

Sahibi ya Mtendaji



NOBELI C. NESTORY

0714349251

WAZA MTENDAJI WA KATA  
KIGAMBONI



TATHIMINI YA ATHARI KWA MAZINGIRA NA JAMII NA UHAMASHAJI KWA JAMII KUHUSU MPANGO WA MAKAZI MBADALA NA FIDIA ZITOKANAZO NA MIRADI WA UJENZI WA MIUNDOMBINU YA UCHAKATAJI MAJI TAKA NA VYOO VYA UMMA MKOA WA

DAR ES SALAAM

MAHUDHURIO KWA AJILI YA MIKUTANO, MAJADILIANO

MWEKEZAJI: DAWASA

MISHAURI: ROYAL ASSOCIATES ENGINEERING JV G-PES LTD

WILAYA: Kigamboni

KATA: Kigamboni

MTAA: Kigamboni

TAREHE: 29/06/2020

S/N	JINA	WADHIFA	NAMBA YA SIMU	SAHIHI
1	PIUS I JAMBA MASHA UGALA SHABANI Ghana		0716576574	Handwritten signature
3	RAJABU S. ALY	DRV	0752129754	Handwritten signature
4	JAMES L. KEBETE	DRIVER TRUCK	0658749928	Handwritten signature
5	Mwakaani J. Mwangi	DRV	0710-104582	Handwritten signature
6	MICHAEL P. MURKES	DEREVA	0655252285	Handwritten signature
7	MUSWAGE ISSA	DEREVA	0684979730	Handwritten signature
8	HASSANI DAKAKI	DEREVA	0697226053	Handwritten signature
9	SACOM MUKOMI	DEREVA	0713260759	Handwritten signature
10	MUSA MWAJURI	DEREVA	0718-185443	Handwritten signature
11	LOYD MUKUBAH	DEREVA	0687810219	Handwritten signature
12	OMAR JUMWA	MEANABIA SHARA	0716190561	Handwritten signature
13	JUMA W. SHAI	DEREVA	0737850088	Handwritten signature
14	MARWA NYABONE	DEREVA	0715926724	Handwritten signature
15	MUTAMBAKARI	DEREVA	0708387777	Handwritten signature
16	SALVESTER S. MUMBO	DEREVA	0718775537	Handwritten signature
17	Faraja D. Sogigwa	Neo-ferry	0719106037	Handwritten signature
18	EMMAJUR KASAB	Mfumbwe 5/mtaga ferry	0658-482516	Handwritten signature
19	Doreen C. Mungu	Environmentalist	0752575967	Handwritten signature
		Social justice	0656400603	Handwritten signature

ARISA MENDALI MAFIA

### Appendix III. Screening letter from NEMC



THE UNITED REPUBLIC OF TANZANIA  
VICE PRESIDENT'S OFFICE  
UNION AND ENVIRONMENT  
NATIONAL ENVIRONMENT MANAGEMENT COUNCIL  
(NEMC)



In reply please quote:  
Ref: CB. 145/88/701/2

Date: 14. 09. 2021

Director General,  
Dar es Salaam Water Supply and Sanitation Authority,  
P. O. Box 1573,  
Dar es Salaam.

**Re: SCREENING DECISION OF THE PROJECT BRIEF FOR THE PROPOSED PUBLIC TOILET TO BE BUILT AT KIGAMBONI WEO OFFICE, KIGAMBONI WARD IN KIGAMBONI MUNICIPALITY, DAR ES SALAAM REGION.**

Reference is made to the above heading.

2. The National Environment Management Council (NEMC) acknowledges receipt of the revised Project Brief report submitted for undertaking Environmental Impact Assessment (EIA) for the above mentioned project with an **Application Reference Number (ARN) EC/EIA/2020/2851**.
3. The submitted report has been reviewed and the Council has reached a decision that your project falls under type B2 projects (Project Brief Stage). Thus, you are required to prepare a **Comprehensive Project Brief** which will guide the Council in decision making.
4. The following information must be included in the comprehensive project brief, these are:-
  - i) Pg. 8-10: Provide suitability of the proposed project site with respect to land use plan area. Attach land ownership / acquisition / compensation / reallocation (if any);
  - ii) Include design of the septic tanks in relation to the generation rate of waste water estimated to be generated in operation phase;
  - iii) Pg. 11: Provide description of the location, design, mechanism and status of the waste stabilization ponds (WSP) where faecal sludge will be treated during operation phase;
  - iv) Pg. 12: Provide description of the onsite incineration facility and saloons as elaborated in project design;
  - v) State the types and management of disinfectant during operation phase and include in the Environmental Social Monitoring Plan;
  - vi) Append the required and relevant form of each stakeholder conducted in the respective project area. Also append relevant minutes of the meetings conducted during public involvement; and
  - vii) Detailed Environmental Management and Monitoring Plans for the proposed project should be provided.

---

Headquarters, 35 Regent Street, P.O Box 63154, 11404 Dar es Salaam, Phone: +255 22 2774852;  
+255 22 2774889; +255 0713 608930/0735 608930 Fax: +255 22 2774901  
Email Address: [dg@nemoc.or.tz](mailto:dg@nemoc.or.tz) Website: [www.nemoc.or.tz](http://www.nemoc.or.tz)

---

5. Furthermore, be reminded that the comprehensive project brief report should conform to the Environmental Management (EIA and Audit)(Amendment) Regulations, 2018 particularly Regulation 6(1) for the content of the comprehensive project brief.
6. Upon submission of the Compressive Project Brief and payment of the review charges, representatives of the Council will visit the project site to inspect and verify the adequacy of the report. You will be required to **incur transportation costs** for the site verification team to and from the project site.
7. Thank you for your cooperation.



A. N. Sembeka  
**For: Director General**

**Cc:** Prof. Rubhera RAM Mato (PhD),  
P. O. Box 35176,  
**Dar es Salaam.**

Appendix IV. Land use Permit

**HALMASHAURI YA MANISPAA KIGAMBONI**  
[Barua zote zipelekwe kwa Mkurugenzi wa Manispaa Kigamboni]

Simu: 255 22 - 2928468  
Fax: +255 V22-2928469  
Barua pepe: [info@kigamboni.go.tz](mailto:info@kigamboni.go.tz)  
Tovuti: [www.kigamboni.go.tz](http://www.kigamboni.go.tz)



Ofisi ya Mkurugenzi,  
Manispaa ya Kigamboni,  
S.L.P 36009,  
KIGAMBONI

Kumb. Na. JA.379/386/02/08

Tarehe: 03/04/2020

Mtendaji Mkuu,  
Mamlaka ya Maji Safi na Majitaka  
S L P 1573,  
DAR ES SALAAM

**YAH: IDHINI YA MATUMIZI YA MAENEO YALIYO PENDEKEZWA KWA  
UJENZI WA MIRADI YA UKUSANYAJI NA UCHAKATAJI WA MAJITAKA**

Rejea barua yako yenye Kumb. Na. DAWASA/KINO/DOC/2020/12 ya tarehe 30/3/2020 yenye mada tajwa hapo juu.

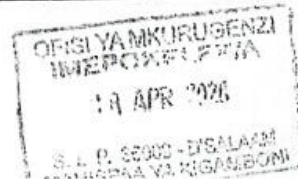
Nakujulisha kuwa, utaratibu wa upimaji na umilikishwaji wa maeneo yaliyopendekezwa kwaajili ya ujenzi wa miradi ya ukusanyaji na uchakataji wa majitaka pia ujenzi wa vyoo vya Umma katika eneo la Wilaya ya Kigamboni unaendelea. Maeneo hayo ni kama yalivyo ainishwa kwenye majedwali hapa chini:-

Maeneo yaliyotolewa kwa ajili ya ujenzi wa miradi ya ukusanyaji na uchakataji wa majitaka na ambayo yanamilikiwa na Halmashauri ni:-

Na.	Eneo	Mtaa	Kata
1	Eneo la wazi	Nyakwale	Kibada
2	Gorofani-Ferry	Ferry	Kigamboni
3	Amusement Park	Kizani	Somangira

Maeneo yaliyotolewa kwa ajili ya ujenzi wa vyoo vya umma na ambayo yanamilikiwa na Halmashauri ni:-

Na.	Eneo	Mtaa	Kata
1	Stendi ya Daladala	Ferry	Kigamboni
2	Soko la Kwa Urasa	Kigamboni	Kigamboni
3	Kwa Mkorea	Kisiwani	Vijibweni

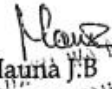


4	Geza Juu- standi ya daladala	Kizani	Somangila
5	Soko Jipya	Kiziza	Kibada
6	Soko la Samaki	Buyuni	Pembamnazi
7	Soko la samaki -Beach ya Mjimwema	Mjimwema	Mjimwema

Sambamba na kuendelea kwa kazi ya upimaji na umilikishwaji wa maeneo yaliyopendekezwa kwaajili ya ujenzi wa miradi ya ukusanyaji na uchakataji wa majitaka, unaruhusiwa kuanza utekelezaji wa Miradi kwa kuzingatia taratibu zote.

Ofisi ya Mkurugezi wa Manispaa itaendelea kutoa ushirikiano muda wote kwa lengo la kufanikisha utekelezaji wa miradi kwa wakati.

Nakutakia utekelezaji Mwema.

  
Maura J.B  
K.N.Y. MKURUGENZI WA MANISAPAA  
HALMASHAURI YA MANISPAA YA KIGAMBONI

Nakala: Mkuu wa Wilaya, - kwa taarifa  
KIGAMBONI

Mkurugenzi wa Manispaa - aisome kwenye jalada  
KIGAMBONI

**Appendix V: Memorandum of Understanding between DAWASA and Dar es Salaam Municipal Councils**



**MEMORANDUM OF UNDERSTANDING**  
**BETWEEN**  
**MINISTRY OF WATER**  
**AND**  
**THE DAR ES SALAAM WATER SUPPLY AND**  
**SEWERAGE AUTHORITY,**  
**REGIONAL ADMINISTRATIVE SECRETARIAT**  
**AND**  
**DAR ES SALAAM MUNICIPAL COUNCILS**  
**(Kinondoni, Ilala, Temeke, Ubungo, Kigamboni)**

**JANUARY 2019**

## ACRONYMS

BC	Beneficiary Community
CEO	Chief Executive Officer
CPM	Critical Path Method
CV	Curriculum Vitae
DAWASA	Dar es Salaam Water and Sewerage Authority
DDCA	Drilling and Dam Construction Agency
DEWATS	Decentralized Wastewater Treatment System
DSM	Dar es Salaam
EMP	Environmental Management Plan
ESA	Environmental and Social Assessment
ESIA	Environmental and Social Impact Assessment
ESMP	Environmental and Social Management Plan
EWURA	Energy and Water Utilities Regulatory Authority
FDR	Final Design Report
FSM	Feacal Sludge Management
GIS	Geographic Information System
GoT	Government of the United Republic of Tanzania
H&S	Health and Safety
ICB	International Competitive Bidding
IFRs	Interim Financial Report
LGAs	Local Government Authorities
m <sup>3</sup>	Cubic meter = 1,000 litres
MD	Managing Director
MKUKUTA	National Strategy for Growth and Reduction of Poverty
MoEVT	Ministry of Education and Vocational Training
MoHCDEC	Ministry of Health, Community Development, Gender, Elderly and Children
MoU	Memorandum of Understanding
MoW	Ministry of Water
NCB	National Competitive Bidding
NEMC	National Environment Management Council

NGO	Non-Governmental Organization
NWSDS	National Water Sector Development Strategy
O&M	Operations and Maintenance
PAP	Projected Affected Person
PERT	Program Evaluation Review Technique
PIM	Project Implementation Manual
PIP	Program Implementation Plan
PO	Private Operators
PO-RALG	Presidents Office Regional Administration and Local Government
PPRA	Public Procurement Regulatory Authority
RAP	Resettlement Action Plan
RAS	Regional Administrative Secretary
RS	Regional Secretariat
RFP	Request for Proposals
SDG	Sustainable Development Goal
SPS	Small Piped Water Supply
TBS	Tanzania Bureau of Standards
ToR	Terms of Reference
UWSA	Urban Water and Sewerage Authority
WC	Water Committee
WSDP	Water Sector Development Program
WSS	Water Supply and Sanitation.
WSSP	Water Sector Development Program
WSSPII	Second Water Sector Support Project

**A MEMORANDUM OF UNDERSTANDING  
FOR THE IMPLEMENTATION OF THE OFF- GRID WATER SUPPLY AND  
SANITATION PROJECTS UNDER THE SECOND WATER SUPPLY AND  
SANITATION PROJECT USING EARMARKED FINANCING**

Memorandum of Understanding (“MoU”) between the Ministry of Water on one part and the Dar es Salaam Water Supply and Sewerage Authority (“DAWASA”), the Dar es Salaam Regional Secretariat (RS), and the five municipalities of Dar es Salaam (collectively referred to as “the MUNICIPALITIES”) on the other part.

**WHEREAS** in recognition of the importance and contribution of the water sector to the social and economic development of the United Republic of Tanzania, the Government has developed a water sector support framework set out in the following documentation: (a) the National Strategy for Growth and Reduction of Poverty (“MKUKUTA, as amended”), (b) the National Water Sector Development Strategy (“NWSDS”) and (c) the Water Sector Development Program (“WSSP”).

**WHEREAS** after being satisfied with the objectives of the WSSP II, parties to this Memorandum have expressed their willingness to participate fully in its implementation;

**WHEREAS** The WSSPII project development objective is to strengthen the capacity for the integrated water resources planning and management in the united Republic of Tanzania and improve access to water supply and sanitation services in an operationally efficient manner in Dar es Salaam. The project has four components namely: Integrated Water Resources Management, Dar es Salaam Water Supply improvement, Dar es Salaam Sanitation Improvement, and Project Management and Implementation support.

**WHEREAS** the project is being financed by IDA Credit through Investment Project Financing, the recipient has declared its commitment to the objectives of the Project.

**WHEREAS** on the other part DAWASA has committed itself to the principle of harmonization and strive for the highest degree of alignment with the Government’s budgetary and accountability systems and local financial framework so as to enhance effective implementation, reduce the administrative burden on the Government, and minimize transaction costs; and

**NOW THEREFORE**, the parties hereby agree to cooperate in coordinating the implementation of the off-grid water supply and sanitation part of WSSP II in accordance with the principles and procedures set forth in this MoU; provided, however, that in case of any conflict between the provisions of this MoU AND THE PROJECT Financing Agreement, the provisions of the Financing Agreement shall prevail.

## 1. DEFINITIONS

Unless the context otherwise requires, several terms defined in the Preamble of this MoU have the respective meanings set forth therein, and the additional terms referred to below have the following meanings:

1. **Off Grid water supply** means the activities which will provide water supply services to people of Dar es Salaam, who are not connected to the formal network. The proposed solutions include decentralized Interventions, which may be an interim measure to be integrated to the grid network as it expands in the future. Schemes to be implemented include mostly independent water supply distribution systems supplied from point sources (e.g boreholes) or a bulk water supply from the DAWASA distribution system. In areas where the existing grid network is not available, independent stand-alone Small Piped Water Supply (SPS) systems will be implemented. These projects, typically involve a source of water (for example, borehole), a community-based distribution system and water points at a community and/or household level. The operations and maintenance will be supported from the tariff collected from the users.
2. **Off-Grid Sanitation** means activities which will provide sanitation services in Dar es Salaam to areas without access to sewers. This activity will support installation of improved toilets; safe emptying and transportation of the waste to a treatment facility; and treatment and safe disposal of treated waste into the environment. This will include piloting decentralized systems and other new technology.
3. **Environmental and Social Management Framework or ESMF** means the framework dated September 2006, prepared by the Government and cleared by the International Development Association, setting forth an environmental and social screening process that will enable WSSP II Implementing Agencies to identify and assess potential adverse environmental and social impacts, and offset and reduce them to acceptable levels, or enhance positive impacts, and in accordance with which environmental and social management plans will be prepared by WSSP II Implementing Agencies.
4. **MKUKUTA II** Means the Government's National Strategy for Growth and Reduction of Poverty dated July 2010, covering the period from 2011 – 12 to 2016 – 17 and subsequent versions that may be introduced by GOT.
5. **Resettlement Policy Framework** or RPF means the governing framework dated September 2006, prepared by the Government and approved by the International Development Association, for land acquisition, resettlement and compensation under the WSDP, and in accordance with which resettlement action plans will be prepared,

as necessary, as the same may be amended from time to time with the concurrence of the International Development Association;

6. **WSSP Implementation Manual** means the Project Implementation Manual (PIM) specifying implementation arrangements for the Second WSSP, including institutional arrangements; procedures for procurement, disbursement of funds, financial management, environmental and social management, and monitoring and evaluation; and progress reporting requirements, including annexes to the said manual.
7. **Project Management Team** means a team set up by DAWASA for day to day management of the off-grid water supply sub-project. Same for management of off-grid sanitation sub-project.
8. **Facilitation Team** A team appointed by the Municipal Director of the respective Municipal Council from Dar es Salaam region for the purpose of facilitating the implementation of the Off-Grid water supply projects and Off- Grid Sanitation projects. The scope of their responsibility are detailed in the PIM and summarized in this MoU.

## **2. UNDERLYING PRINCIPLES**

2.1 The MoW, DAWASA, RS and Municipalities agree that the following are the underlying principles that govern this partnership:

- (a.) Commitment to the fulfilment of the aspirations of the National Development Vision 2025;
- (b.) Compliance with defined budgeting, procurement and public financial management rules and regulations;
- (c.) Good governance and accountability of the Government to its citizens, including an active fight against corruption;
- (d.) Coordinating the implementation of the off-grid water supply and sanitation sub-projects cost effectively; and
- (e.) Each party executing its respective roles in a timely manner

## **3. GENERAL PROVISIONS**

### **3.1 Purpose**

This MoU outlines the responsibilities of the **MoW, DAWASA, RS and Municipalities** with respect to the implementation of off-grid water supply and sanitation sub-projects and sets forth common institutional, environmental and social measures, monitoring and evaluation, audit and reporting arrangements. The WSSP II Implementation Manual complements procedures and arrangements set out in this MoU.

### 3.2 **Status of the MoU**

This MoU is not intended to create any legally binding obligations and the parties take due cognizance of the separate sector laws and regulations between the Government Institutions, and this MoU is adopted pursuant to and subject to any such regulations. In case of any conflict between the provisions of this MoU and the project Financing Agreement, the provisions of the Financing Agreement shall prevail.

## 4. **OFF GRID WATER SUPPLY**

### 4.1. **Commitment**

The DAWASA declares its commitment to the objectives of the **Second Water Sector Support Project** and will act with due diligence and efficiency to facilitate the successful implementation of the projects. To this end, DAWASA, as an Implementing Agency will effectively carry out its roles and responsibilities in the implementation of the off-grid water supply and sanitation sub-projects as defined in the WSSP II Project Implementation Manual. The Ministry of Water, as the Responsible Agency for WSSP II will have overall responsibility for the coordination and implementation of the off-grid water supply and sanitation sub-projects.

### 4.2 **Institutional Arrangements**

The institutional framework for overseeing the implementation of the WSSP II comprises the following key bodies, as set out in the Sections below, and in greater detail in the WSSP Implementation Manual:

1. Ministry of Water;
2. Prime Minister's Office Regional Administration and Local Government;
3. Ministry of Health, Community Development, Gender, Elderly and Children
4. Municipal Councils
5. Beneficiary Communities ("BC");

#### 4.2.1 **Ministry of Water (MoW)**

The MoW will be responsible for provision of overall coordination and oversight. The Ministry will also provide technical and administrative support in the implementation of WSSP II, including without limitation the following activities:

1. Coordinating and consolidating the quarterly WSSP II IFRs (Interim Financial Report); semi-annual and annual progress reports; and ensuring that funds earmarked for implementation of WSSP II activities are duly considered in the annual work plans

and budgets of the implementing agencies; and that the WSSP II procurement plans are consistent with WSSP II work plans and budgets;

2. Ensuring quality and consistency of the documents referred to in subparagraph (a) above prior to consolidation as indicated in the Programme Implementation Manual and submission to the Off-Grid WSS SC for discussion;
3. Monitoring the implementation of the Annual Work Plans and Budgets by the WSSP II Implementing Agencies, at least on quarterly basis;
4. Providing oversight on financial management, controls, audit and reports; and
5. Ensuring that management decisions made by the Off-Grid WSS Steering Committee are communicated to the Implementing Agencies, implemented and monitored.

#### **4.2.2 DAWASA**

DAWASA will be responsible for overall coordination and implementation of off grid water supply activities. The off-grid water supply shall be implemented under the Directorate of Infrastructure Development (for construction arrangements) in collaboration with the Communication Unit (for coordination arrangements). The Communication Unit will be generally responsible for:-

1. Coordinating inputs as required from other units within DAWASA such as Procurement, Technical Services, and Finance, etc.
2. Supervising and monitoring contracts / agreements
3. Setting up Sub-project Agreements with beneficiary communities
4. Monitoring and reporting overall progress of the off-grid water supply sub-component.
5. Reviewing and evaluating the operation and management of the water supply sub-projects.
6. The financial aspects for off- grid water supply sub-projects will be managed as per Project Implementation Manual VOLUME II, and
7. Overall supervision of off-grid water supply activities.

#### **4.2.3 Municipal Councils (or DLGAs)**

The five Dar es Salaam Municipal Councils, through their respective Urban Planning Department, Legal Unit, Municipal Health and Water Department, will be responsible for the following tasks:

1. Creating awareness and mobilization of the communities.

2. Each DLGA will form a Municipal Facilitation Team comprising different specialists from Water, Health, Education, Community Development departments that will be tasked to assist consultants/contractors/PO on implementation and operation of Off Grid Water Supply facilities in their respective areas.
3. DLGAs through Legal unit, Health and Water department will coordinate the formation of Water Supply by-laws and regulations and thereafter enforcing for sustainability of Off Grid Water Supply facilities.
4. DLGAs will be responsible for identification and facilitation of Land acquisition for construction of Off- Grid Water Supply facilities

#### **4.2.4 WSS Steering Committee**

Given the multiplicity of institutions with varying roles, a WSS Steering Committee (SC) will be set up under the project to ensure coordination, synergy, and dovetailing. This SC will be newly set up or be adopted from some of the other projects (for example, Dar es Salaam Metropolitan Development Program [DMDP]) which may have similar steering mechanisms. This steering committee will be chaired by the Head of the Water Sector from RS and DAWASA will provide the secretary to WSS SC.

The RS will chair the Off Grid WSS Steering Committee, which will be comprised of representatives from the DAWASA, RS, WRBO, MOW, DLGAs i.e Temeke, Ilala, Kinondoni, Kigamboni and Ubungo. The Steering Committee will be responsible for providing general oversight of the selection and approval of sub-projects for implementation by the Off-Grid Water Supply and Sanitation. The key responsibilities of the Off Grid WSS Steering Committee include:

1. Reviewing overall Off Grid Sanitation implementation arrangements
2. Reviewing and approving Off Grid Sanitation sub-project operational guidelines
3. Reviewing and approving Off Grid Sanitation sub-project proposals
4. Reviewing overall Off Grid Sanitation progress and performance and providing guidance for improvements if needed
5. Conflict Resolution as per PIM.

#### **4.2.5 Beneficiary Community**

At the project level, Beneficiary Community will be involved in the project appraisal, that includes identification of sources, selection of appropriate sites, kiosk locations, and

protection of water source and infrastructures. DAWASA will be responsible for the efficient operation and management of the water supply systems.

#### **4.2.6 Private Operator**

The Private Operator (PO) may be engaged if the expansion of DAWASA grid network is beyond five years away. The PO would primarily have as its members the households from the community, with an operating body selected by the members from among themselves, with additional membership from DAWASA/DLGA. The regulation of these systems, including the tariff, would be undertaken by EWURA, as part of the overall regulation of the sector in Dar es Salaam.

Private Operator will operate, maintain, and manage the scheme under contract with DAWASA.

The Private Operator shall be responsible for keeping and maintaining appropriate records of its business activities. These shall include:

1. Customer details
2. Operation and maintenance records including volume of water produced and sold
3. Asset register, work as executed records, manuals of plant and equipment
4. Condition and expected life of assets
5. The details of network expansions as up to standards.
6. The Private Operator shall prepare monthly and quarterly operation and maintenance
7. Reports for the completed off-grid water supply subproject
8. Billing and payment records
9. Business accounts and financial statement

In general, the Operation and Maintenance Reports will address such issues as:

1. Number of registered customers in the service area
2. Number of people in the service area and number of people served
3. Business plan and budget
4. Level of service; proposed and actual
5. Revenue and expenses, progress against budget
6. Customer satisfaction
7. Maintenance activities, breakdowns, failures
8. Availability of ground /reliable water sources
9. Availability for land resources for project activities
10. Manage non-revenue water in the business area

### **4.3 SELECTION CRITERIA**

DAWASA, in consultation with the five municipalities Ilala, Temeke, Kinondoni, Kigamboni and Ubungu will identify communities which are eligible for the Off-Grid Water Supply sub-project under the WSSP II. The identification will follow the criteria below;

1. High population density
2. Low-income areas
3. Prevalence/risk of waterborne diseases
4. No wholesome water services
5. Near-trunk infrastructure
6. Availability of sufficient land for the interventions
7. Unplanned settlements
8. Community willingness

Each of these criteria will be allocated a score, and the communities prioritized according to their total score. Keeping in mind the decisions of other interventions (for example, The Dar es salaam Metropolitan Development Program - DMDP), WSSP-II will invest in those communities which have the highest need.

### **5.0 OFF-GRID SANITATION**

#### **5.1 Definition.**

The Off-Grid Sanitation components will provide much needed improvements to wastewater management services in areas of Dar es Salaam that are not served by DAWASA network. These improvements will be realised as a result of construction of Off-Grid sanitation stand-alone projects such as Decentralized Waste Water Treatment Systems (DEWATSs), faecal sludge treatment facilities, and condominial/simplified sewerage. The Off-Grid Sanitation Services will address the lack of sanitation services in unserved areas.

#### **5.2 Institutional Arrangements**

A strategy to address the poor sanitation in Dar es Salaam requires clarity and coordination among the various institutions involved in the sector. However, institutional responsibility is fragmented and unclear, being divided between National Ministries, City Utilities, Municipal Organizations, Regulatory Authorities, Community-Based Organizations, the Informal Private Sector and sanitation users themselves.

Currently sanitation service delivery is undertaken by a mixture of Utilities, Municipalities and Regulators. DAWASA will be responsible for overall coordination and supervision of Off-Grid sanitation activities. Other institution as detailed in PIM are summarised below:

1. MoHCDGEC,
2. MoW,
3. RS,
4. DLGAs,
5. NGOs,
6. PO

### **5.2.1 Ministry of Water**

Ministry of Water will be responsible with setting Policy and guidelines specific to FSM and overall project coordination and implementation support .

### **5.2.2 DAWASA**

DAWASA will provide a foundation and resources for the overall implementation of Off-Grid Sanitation.

Directorate of Infrastructure Development will be the department within DAWASA responsible for overseeing the implementation of the WSSP II including Off-Grid Sanitation Sub component. The head of this department will report directly to the DAWASA Chief Executive Officer and will generally be responsible for:

1. Coordination of the Off-Grid Sanitation Steering Committee as well as establishing a general agenda and timetable for Steering Committee meetings with consultation with Steering Committee Chairperson and providing secretariat services.
2. Coordinating inputs as required from other Directorates within DAWASA such as Procurement, Infrastructure Development, and Finance, etc.
3. Signing, supervising and monitoring contracts / agreements
4. Setting up Sub-project Agreements with successful communities.
5. Monitoring and reporting overall progress of the Off-Grid Sanitation
6. Reviewing and evaluating the operation and management of the community sanitation schemes.

In support of Sub Component 3.2: a Sanitation coordination team led by PO-RALG - Regional Secretariat will be established to coordinate implementation of the Off- Grid sanitation services. The technical department in the municipalities in coordination with DAWASA will be responsible for implementation of the off-grid sanitation component. DLGAs through Health, Legal unit and Water departments will coordinate the formation or improvement of existing Sanitation by laws and regulations and thereafter enforcing them for the sustainability of Off Grid Sanitation facilities. Areas where these facilities will be built people will be required to connect. DLGAs will be responsible for identification and facilitation of Land acquisition for construction of Off- Grid Sanitation facilities, and management of Public toilets.

**5.2.3 MoHCDGEC/MoW:**  
Policy and guidelines specific to FSM.

**5.2.4 DLGAS under Regional Secretariat:**

Roles and responsibilities of the DLGAs will include:

1. Creating awareness and mobilization of the community
2. Formulation of Municipal Facilitation Team comprised of specialists from Water, Health, Education, Community Development departments that will be tasked to assist consultants/Contractors/PO on implementation and operation of Off Grid Sanitation facilities
3. Coordination of the formation of Sanitation by-laws and regulations and thereafter enforcing them for sustainability of Off Grid Sanitation facilities through Legal unit, Health and Water Department
4. Identification and facilitation of land acquisition for construction of Off- Grid Sanitation facilities
5. Establish and capacitate the grievance redress mechanism (GRM) team
6. Monitor and evaluate project implementation, trouble shooting and responding to grievances raised by Grievance Redress Mechanisms (GRM) teams
7. Prepare and submit to WSS SC a monthly project implementation progress report

**5.2.5 WSS Steering Committee**

Given the multiplicity of institutions with varying roles, a WSS Steering Committee (SC) will be set up under the project to ensure coordination, synergy, and dovetailing. This SC will be newly set up or be adopted from some of the other projects (for example, Dar es Salaam Metropolitan Development Program [DMDP]) which may have similar steering mechanisms. This steering committee will be chaired by the Head of the Water Sector from RS and DAWASA will provide the secretary to WSS SC.

The RS will chair the Off Grid WSS Steering Committee, which will be comprised of representatives from the DAWASA, RS, WRBO, MOW, DLGAs i.e Temeke, Ilala, Kinondoni, Kigamboni and Ubungu. The Steering Committee will be responsible for providing general oversight of the selection and approval of sub-projects for implementation by the Off-Grid Water Supply and Sanitation. The key responsibilities of the Off Grid WSS Steering Committee include:

1. Reviewing overall Off Grid Sanitation implementation arrangements
2. Reviewing and approving Off Grid Sanitation sub-project operational guidelines
3. Reviewing and approving Off Grid Sanitation sub-project proposals

4. Reviewing overall Off Grid Sanitation progress and performance and providing guidance for improvements if needed
5. Conflict Resolution as per PIM.

#### **5.2.6 Private Operator (PO):**

The domestic private sector will be a major institution which will require to be involved for sanitation in low-income settlements. Their involvement will include approaches to empty faecal sludge from latrine pits and septic tanks. This could be through vacuum trucks, or in areas where access is difficult, small 'gulper' technologies.

Private Operator will form the basic unit for planning and eventually operating and managing the community-based sanitation schemes implemented under the off-grid sanitation. Off-grid sanitation POs, will be responsible for:

1. Possession of necessary registration as per requirements.
2. Undertaking training and development in operations and maintenance, financial management, monitoring and reporting.
3. Operating and maintaining the off-grid sanitation Scheme in a sustainable manner and providing equitable access to the service for everyone in the community
4. Maintaining adequate records and reporting on technical and financial performance to DLGAs and DAWASA.

#### **5.2.7 NGOs/ Consultant:**

NGO will be responsible for Capacity building, mobilization of community; media campaigns

DAWASA will contract with a reputable NGO active in the DAWASA service area as implementing agents for the off- grid Sanitation. The key roles of the off-grid sanitation NGO include:

1. Mobilising community groups to identify all sanitation needs and raising awareness within community groups about sanitation issues.
2. Assisting community members to obtain legal status if required and to set up the necessary bank accounts, for the community to qualify for funding from micro finance institution for toilet improvements.
3. Undertaking a needs analysis and preparing a subproject proposal design, budget, impact assessment, operational and maintenance of the sanitation facility
4. Preparing subproject proposals in association with the community members for consideration by the off-grid sanitation Steering Committee.
5. Sensitization and training of POs to operate, maintain, and manage off-grid sanitation systems.

6. Assisting DAWASA to develop suitable O&M guidelines/manuals and financial management guidelines for use by the POs in operating and managing the completed schemes.

### 5.3 SELECTION CRITERIA

DAWASA, in consultation with the five municipalities Ilala, Temeke, Kinondoni, Kigamboni and Ubungo will identify communities which are eligible for Off-Grid Sanitation sub-project under the WSSP II, in the eligible project area using the criteria mentioned in the PIM. The criteria will include the availability of land resources for the project activities as additional criteria.

Each of these criteria will be allocated a score, and the communities prioritized according to their total score. Keeping in mind the decisions of other interventions (for example, DMDP), WSSP-II will invest in those communities, which have the highest need.

The five municipalities will be the focal point for planning, prioritizing, and implementing the off-grid sanitation in their areas. A comprehensive master sanitation plan, based on empirical data and evidence, will form the basis for this planning and implementation.

The results of the ongoing efforts to map the city on the said indicators, will form the basis for the planning efforts by the stakeholders.

#### Summary of Institutional Roles for Sanitation Provision

MoH/MoW/PO-RALG	Policy and guidelines specific to FSM
MoW	Overall project coordination and implementation support
EWURA	Regulate performance of DAWASA
DAWASA	Facilitating the establishment and operation of treatment facilities (FSM and the like and facilitating the development of options for transportation and treatment of this waste, establishment and management of public toilets; regulating the services of transporters
Municipalities	Facilitating the upgrading of unimproved household toilets to improved ones and regulation of waste disposal; facilitating the availability of land for decentralized systems; provide licenses to private transport operators
Private sector	Development of infrastructure for transportation and treatment, operation
NGOs	Capacity building, mobilization of community; media campaigns

TBS	Setting up of standards for effluent disposal
NEMC	Regulation of disposal of effluent

**6.0 EFFECTIVENESS AND DURATION OF MoU**

- 6.1. This MoU will become effective on the date of signature by all parties.
- 6.2. This MoU shall remain in force until end Closure of the Second WSSP, or as shall be mutually agreed by the parties hereto.

**7.0 AMENDMENTS**

This MoU may be amended at any time with the written agreement of the parties hereto.

**8.0 CONFLICT RESOLUTION**

In the event of any differences arising with respect to the provisions of this MoU, the parties will endeavour to find a solution through dialogue and consultation.

**9.0 INFORMATION AND NOTICES**

- 9.1. The parties to this MoU will furnish to each other all such information in relation to the WSSP II as will be reasonably requested in a timely manner.
- 9.2. Any notices or documents given, made or sent by the parties in relation to this MoU will be in writing and will be deemed to have been duly given, made or sent to the organization or person to which it is addressed at the time of its delivery by hand, mail, or courier at its respective address, as listed in this MoU.
- 9.3. Any party hereto may, by written notice to the other parties, change the address to which any notice or request for the Participant so giving such notice will be addressed.
- 9.4. All communications and documents submitted to any party and by any part will be in the English language.
- 9.5. The following addresses are specified for purposes of Section 16.2.

**9.6 FOR THE PARTIES**

Permanent Secretary

Ministry of Water

Address

Tel:

E-mail:

Chief Executive Officer

DAWASA

Address

Tel:

E-mail:

Region Administrative Secretary

Dar es Salaam Region

**Address:**

**Tel:**

**E-mail:**

**Municipal Director**

Temeke Municipal Council

**Address:**

**Tel:**

**E-mail:**

**Municipal Director**

Ilala Municipal Council

**Address:**

**Tel:**

**E-mail:**

**Municipal Director**

Kinondoni Municipal Council

**Address:**

**Tel:**

**E-mail:**

**Municipal Director**

Ubungo Municipal Council

**Address:**

**Tel:**

**E-mail:**

**Municipal Director**

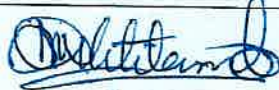

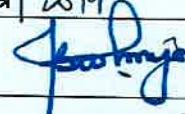

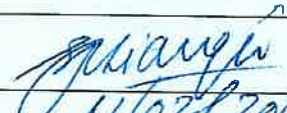

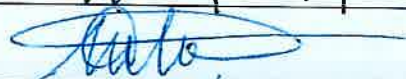

Kigamboni Municipal Council

**Address:**

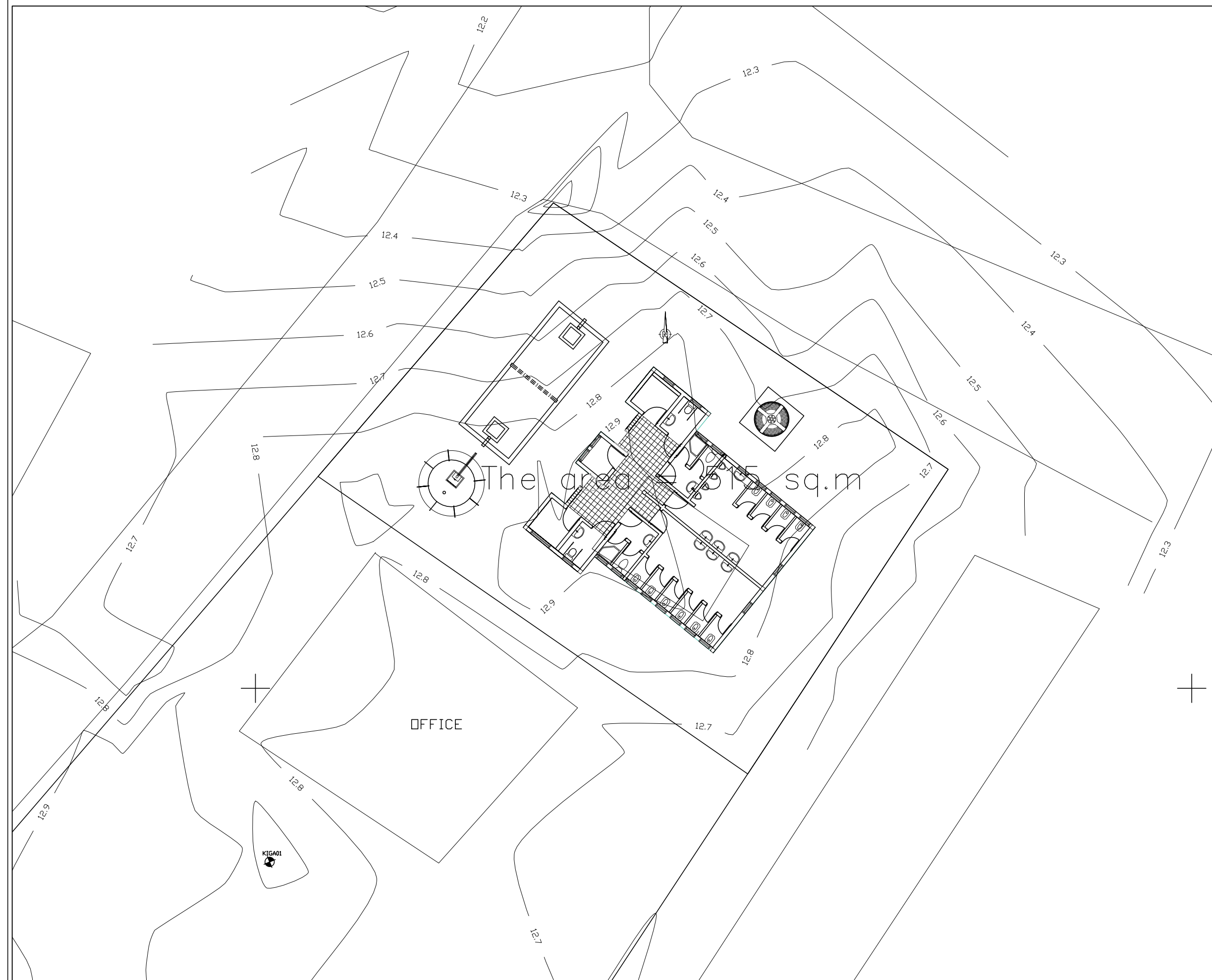
**Tel:**

**E-mail:**





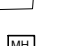




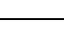
Signed by the duly authorized representatives of the parties as hereunder:

Permanent Secretary Ministry of Water	
	Date 18/2/2019
Regional Administrative Secretary Dar es Salaam	
	Date 1/2/2019
CEO DAWASA	
	Date 23.01.2019
Municipal Director Temeke	
	Date
Municipal Director Ilala	
	Date 11/02/2019
Municipal Director Ubungu	
	Date 07/02/2019
MD Kinondoni	
	Date 07/02/2019
Municipal Director Kigamboni	
	Date 09/02/2019

**Appendix V: Architectural Drawings**



**LEGEND**

-  Benchmark
-  Existing Road
-  Plot Boundary
-  Electric Pole
-  Tree
-  Existing Building
-  Manhole
-  Septic Tank
-  Soak away Pit
-  Water Supply Tower


DESIGN BY		SCALE	1:200
DRAWN BY			
CHECKED BY			
APPROVED BY		DATE	APRIL-2021
SHEET NO:		DRAWING NO.	PT-KGMC-102

PROJECT	PROVISION OF FACILITATION AND TECHNICAL SERVICES FOR CREATION OF ESSENTIAL FRAMEWORK CONDITIONS, CAPACITY BUILDING, PREPARATION OF DETAILED ENGINEERING DESIGNS AND BIDDING DOCUMENTS, AND CONSTRUCTION SUPERVISION OF THE OFF-GRID SANITATION WORKS IN DAR ES SALAAM
TITLE	PUBLIC TOILET TYPE 3 FOR KIGAMBONI WARD OFFICE IN KIGAMBONI MUNICIPAL COUNCIL SITE LAYOUT FOR PUBLIC TOILET

REVISION	
DATE	
NATURE OF REV.	
CHECKED BY	
APPROVED BY	

CLIENT  
**DAR ES SALAAM WATER SUPPLY & SANITATION AUTHORITY (DAWASA)**

CONSULTANT  
 DOHWA Engineering CO., LTD IN ASSOCIATION WITH LUPTAN CONSULTS LTD AND WWS





DESIGN BY	SCALE	AS SHOWN	PROJECT	REVISION	CLIENT
DRAWN BY			PROVISION OF FACILITATION AND TECHNICAL SERVICES FOR CREATION OF ESSENTIAL FRAMEWORK CONDITIONS, CAPACITY BUILDING, PREPARATION OF DETAILED ENGINEERING DESIGNS AND BIDDING DOCUMENTS, AND CONSTRUCTION SUPERVISION OF THE OFF-GRID SANITATION WORKS IN DAR ES SALAAM	DATE	<b>DAR ES SALAAM WATER SUPPLY &amp; SANITATION AUTHORITY (DAWASA)</b>
CHECKED BY			TITLE	NATURE OF REV.	CONSULTANT
APPROVED BY	DATE	MAY-2021	TYPICAL DRAWINGS FOR PUBLIC TOILET TYPE 3 FOR BUS STAND AND MARKET AREAS	CHECKED BY	DOHWA Engineering CO., LTD IN ASSOCIATION WITH LUPTAN CONSULTS LTD AND WWS
SHEET NO:	DRAWING NO.	PT-TYPC-3D		APPROVED BY	



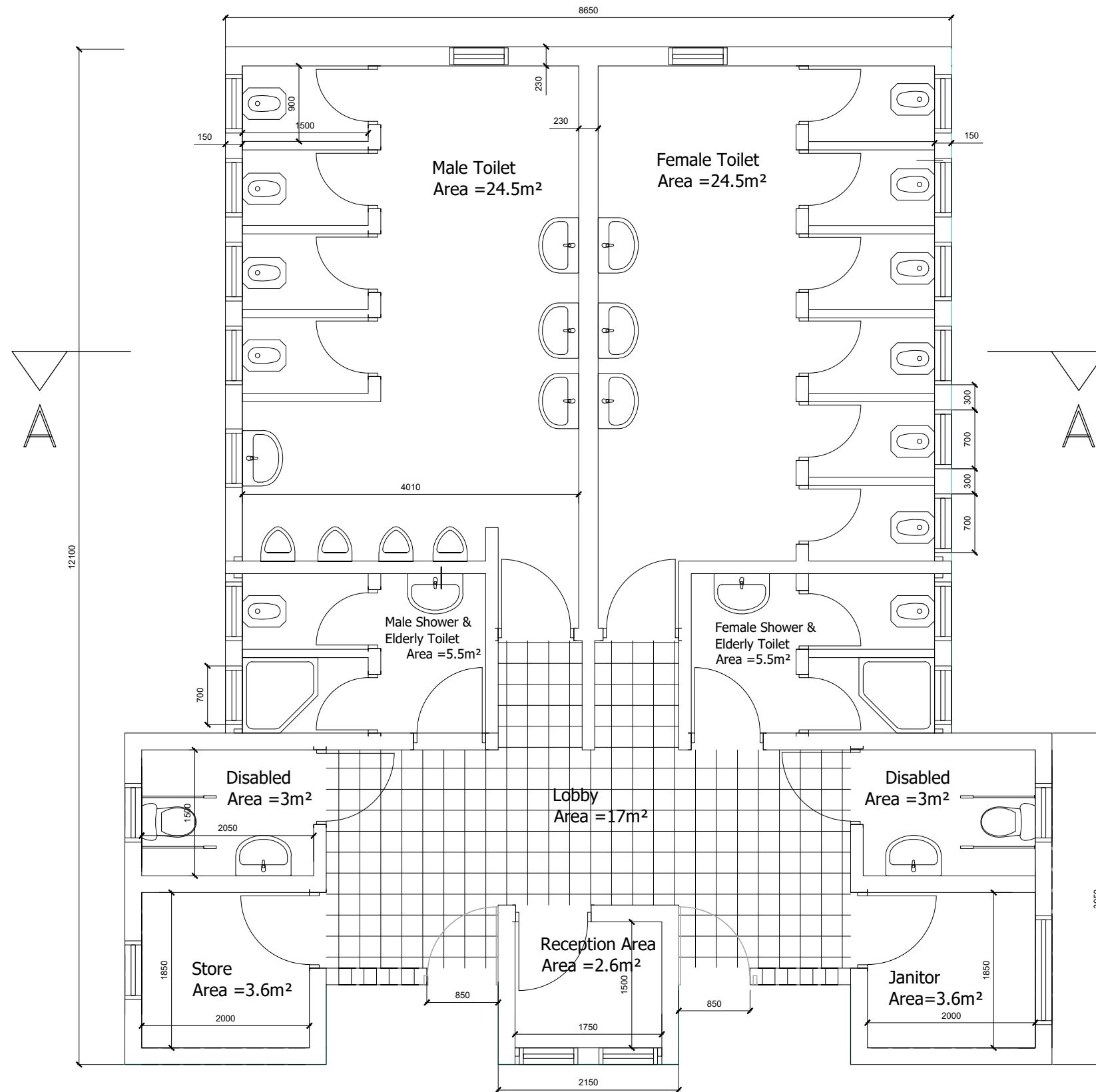
**NOTES:**

1. ALL DIMENSIONS ARE IN MILLIMETERS UNLESS OTHERWISE SHOWN
2. DO NOT SCALE FROM THIS DRAWING
3. THE SCALES GIVEN ON THIS DRAWING REFER TO THE A1 SIZE ORIGINAL DRAWING
4. THE SUBGRADE SHALL BE COMPACTED TO 99% MAXIMUM DRY DENSITY BEFORE THE PLACEMENT OF HARDCORE
5. CONCRETE SHALL BE CLASS C30/37 FOR STRUCTURAL MEMBERS AND CLASS C8/10 FOR BLINDING
6. THE MAXIMUM SIZE OF AGGREGATE SHALL BE 20mm UNLESS OTHERWISE SHOWN
7. REINFORCEMENT SHALL BE HIGH TENSILE DEFORMED TYPE WITH A CHARACTERISTIC YIELD STRESS OF AT LEAST 429N/mm<sup>2</sup>
8. COVER TO REINFORCEMENT SHALL BE:
  - FOUNDATIONS 50mm
  - SLABS 25mm
  - WALLS AND BEAMS 30mm
9. LAPS TO ALL REINFORCEMENT SHALL BE 50 \* BAR DIAMETER UNLESS OTHERWISE SHOWN

**FLOOR PLAN FOR 105 m<sup>2</sup>**

**Number of Rooms**

<b>Male Toilets &amp; Showers</b>	<b>5 Toilets, 4 Urinals, 1 Shower and 1 Disabled</b>
<b>Female Toilets</b>	<b>7 Toilets, 1 Disabled and 1 Shower</b>
<b>Additional Rooms</b>	<b>1 Reception, 1 Janitor's and 1 Store Room</b>



DESIGN BY		SCALE	1:60	PROJECT	PROVISION OF FACILITATION AND TECHNICAL SERVICES FOR CREATION OF ESSENTIAL FRAMEWORK CONDITIONS, CAPACITY BUILDING, PREPARATION OF DETAILED ENGINEERING DESIGNS AND BIDDING DOCUMENTS, AND CONSTRUCTION SUPERVISION OF THE OFF-GRID SANITATION WORKS IN DAR ES SALAAM	REVISION		CLIENT	DAR ES SALAAM WATER SUPPLY & SANITATION AUTHORITY (DAWASA)
DRAWN BY				TITLE	TYPICAL DRAWINGS FOR PUBLIC TOILET TYPE 3 FOR BUS STAND AREAS	DATE		CONSULTANT	DOHWA Engineering CO., LTD IN ASSOCIATION WITH LUPTAN CONSULTS LTD AND WWS
CHECKED BY					FLOOR AND ROOF PLAN OF PUBLIC TOILET FOR 105m <sup>2</sup> GROUND TYPE	NATURE OF REV.			
APPROVED BY		DATE	APRIL-2021			CHECKED BY			
SHEET NO:		DRAWING NO.	PT-TYPC-201-1			APPROVED BY			



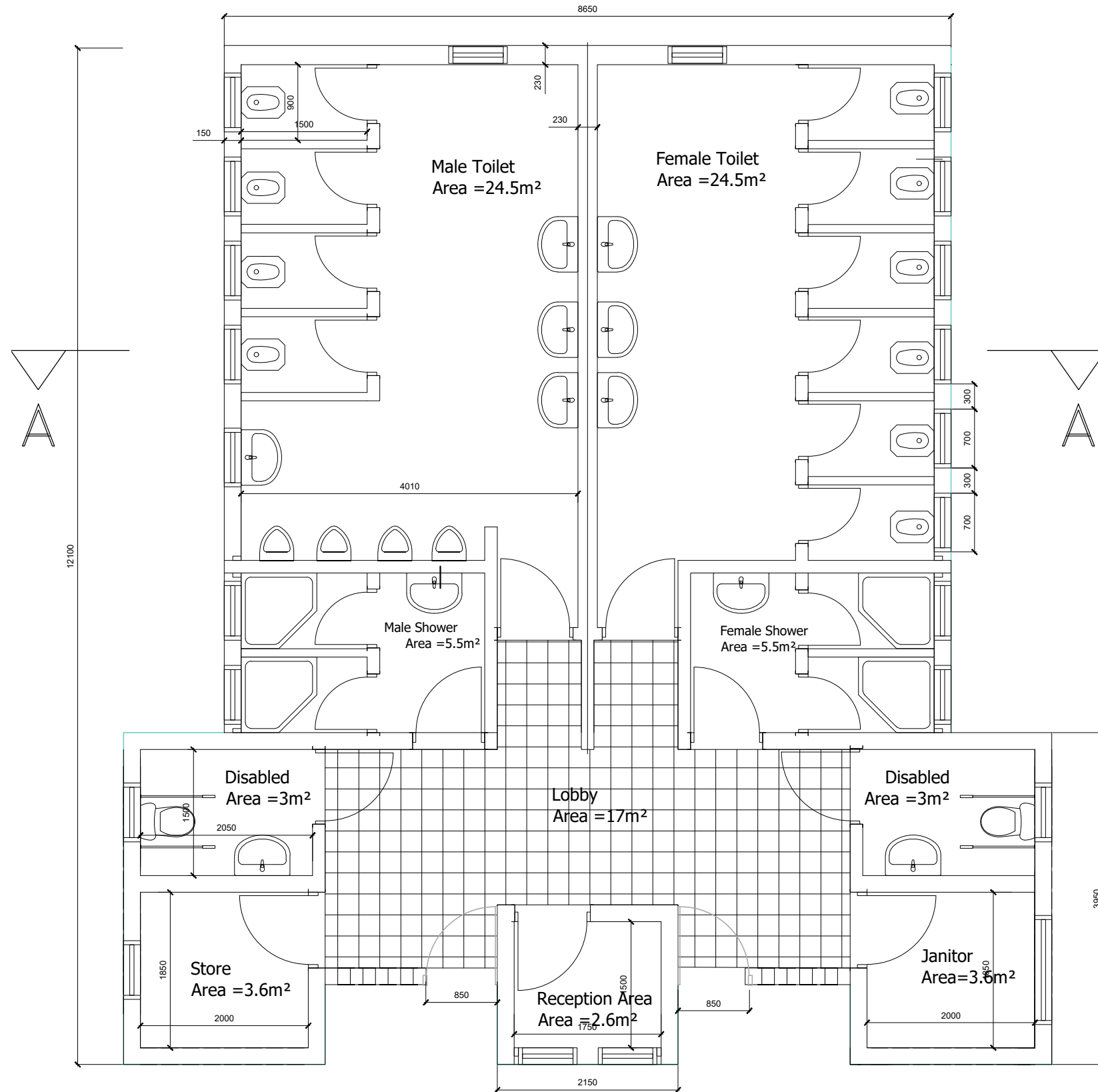
**NOTES:**

1. ALL DIMENSIONS ARE IN MILLIMETERS UNLESS OTHERWISE SHOWN
2. DO NOT SCALE FROM THIS DRAWING
3. THE SCALES GIVEN ON THIS DRAWING REFER TO THE A1 SIZE ORIGINAL DRAWING
4. THE SUBGRADE SHALL BE COMPACTED TO 99% MAXIMUM DRY DENSITY BEFORE THE PLACEMENT OF HARDCORE
5. CONCRETE SHALL BE CLASS C30/37 FOR STRUCTURAL MEMBERS AND CLASS C8/10 FOR BLINDING
6. THE MAXIMUM SIZE OF AGGREGATE SHALL BE 20mm UNLESS OTHERWISE SHOWN
7. REINFORCEMENT SHALL BE HIGH TENSILE DEFORMED TYPE WITH A CHARACTERISTIC YIELD STRESS OF AT LEAST 429N/mm<sup>2</sup>
8. COVER TO REINFORCEMENT SHALL BE:
  - FOUNDATIONS 50mm
  - SLABS 25mm
  - WALLS AND BEAMS 30mm
9. LAPS TO ALL REINFORCEMENT SHALL BE 50 \* BAR DIAMETER UNLESS OTHERWISE SHOWN

**FLOOR PLAN FOR 105 m<sup>2</sup>**

**Number of Rooms**

<b>Male Toilets &amp; Showers</b>	<b>4 Toilets, 4 Urinals, 2 Showers and 1 Disabled</b>
<b>Female Toilets</b>	<b>2 Toilets, 1 Disabled and 2 Showers</b>
<b>Additional Rooms</b>	<b>1 Reception, 1 Janitor's and 1 Store Room</b>

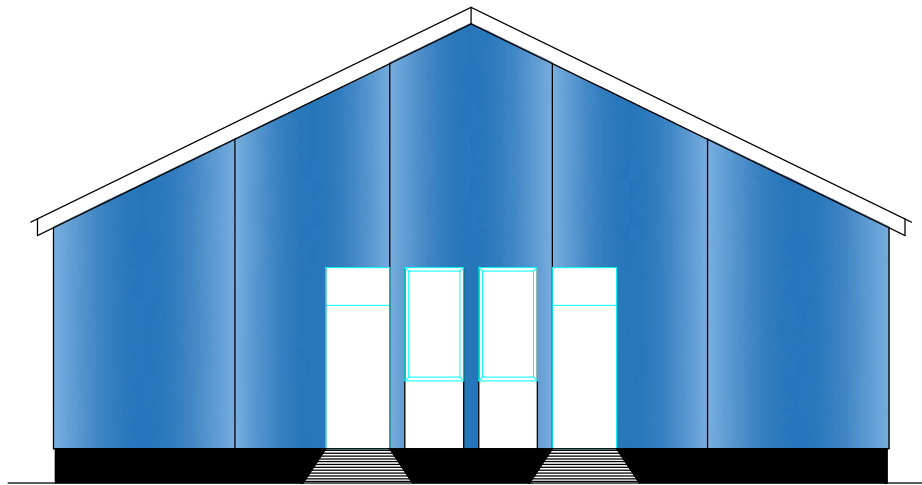


DESIGN BY		SCALE	1:60	PROJECT	PROVISION OF FACILITATION AND TECHNICAL SERVICES FOR CREATION OF ESSENTIAL FRAMEWORK CONDITIONS, CAPACITY BUILDING, PREPARATION OF DETAILED ENGINEERING DESIGNS AND BIDDING DOCUMENTS, AND CONSTRUCTION SUPERVISION OF THE OFF-GRID SANITATION WORKS IN DAR ES SALAAM	REVISION		CLIENT	DAR ES SALAAM WATER SUPPLY & SANITATION AUTHORITY (DAWASA)
DRAWN BY				TITLE	TYPICAL DRAWINGS FOR PUBLIC TOILET TYPE 3 FOR MARKET AREAS	DATE		CONSULTANT	DOHWA Engineering CO., LTD IN ASSOCIATION WITH LUPTAN CONSULTS LTD AND WWS
CHECKED BY					FLOOR AND ROOF PLAN OF PUBLIC TOILET FOR 105m <sup>2</sup> GROUND TYPE	NATURE OF REV.			
APPROVED BY		DATE	APRIL-2021			CHECKED BY			
SHEET NO:		DRAWING NO.	PT-TYPC-201-2			APPROVED BY			

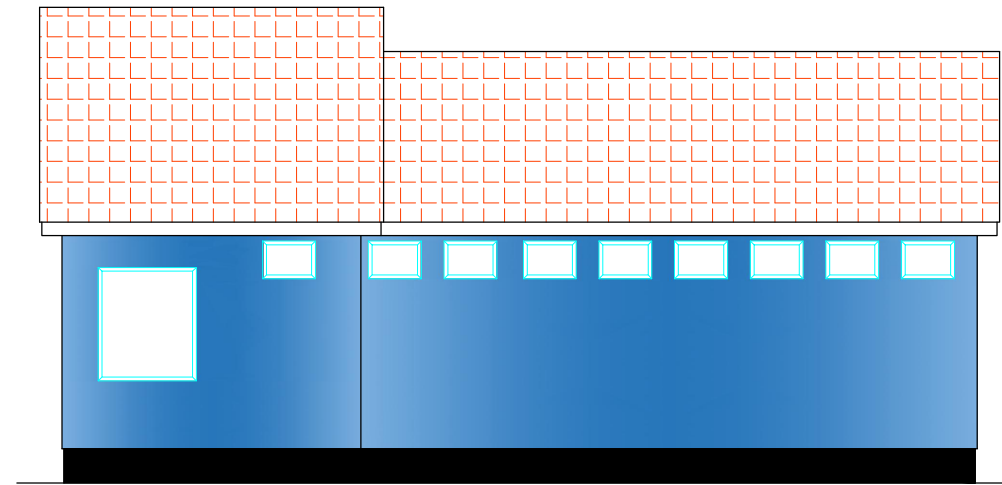


**NOTES:**

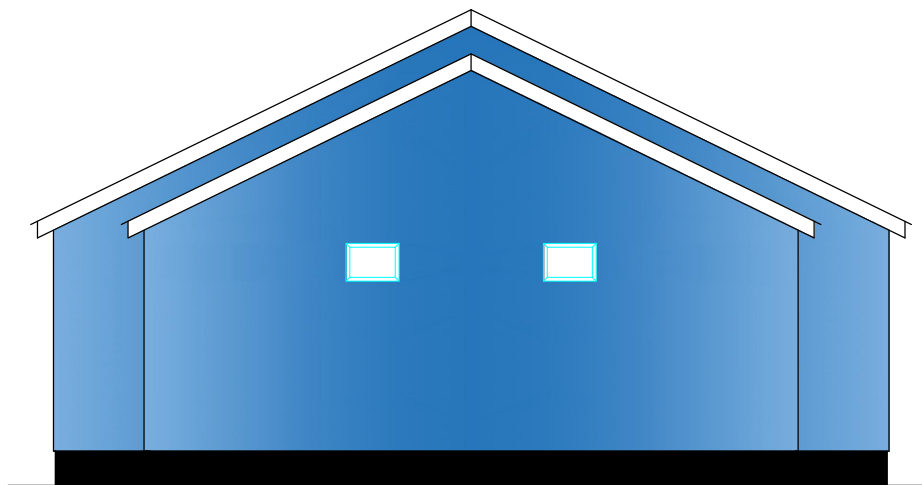
1. ALL DIMENSIONS ARE IN MILLIMETERS UNLESS OTHERWISE SHOWN
2. DO NOT SCALE FROM THIS DRAWING
3. THE SCALES GIVEN ON THIS DRAWING REFER TO THE A1 SIZE ORIGINAL DRAWING
4. THE SUBGRADE SHALL BE COMPACTED TO 99% MAXIMUM DRY DENSITY BEFORE THE PLACEMENT OF HARDCORE
5. CONCRETE SHALL BE CLASS C30/37 FOR STRUCTURAL MEMBERS AND CLASS C8/10 FOR BLINDING
6. THE MAXIMUM SIZE OF AGGREGATE SHALL BE 20mm UNLESS OTHERWISE SHOWN
7. REINFORCEMENT SHALL BE HIGH TENSILE DEFORMED TYPE WITH A CHARACTERISTIC YIELD STRESS OF AT LEAST 429N/mm<sup>2</sup>
8. COVER TO REINFORCEMENT SHALL BE:
  - FOUNDATIONS 50mm
  - SLABS 25mm
  - WALLS AND BEAMS 30mm
9. LAPS TO ALL REINFORCEMENT SHALL BE 50 \* BAR DIAMETER UNLESS OTHERWISE SHOWN



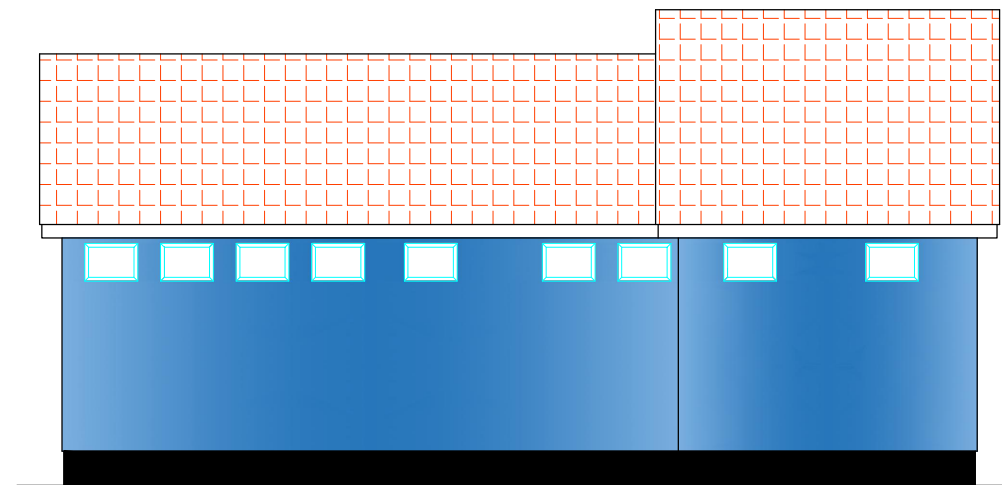
Front Elevation



Right Side Elevation



Rear Elevation



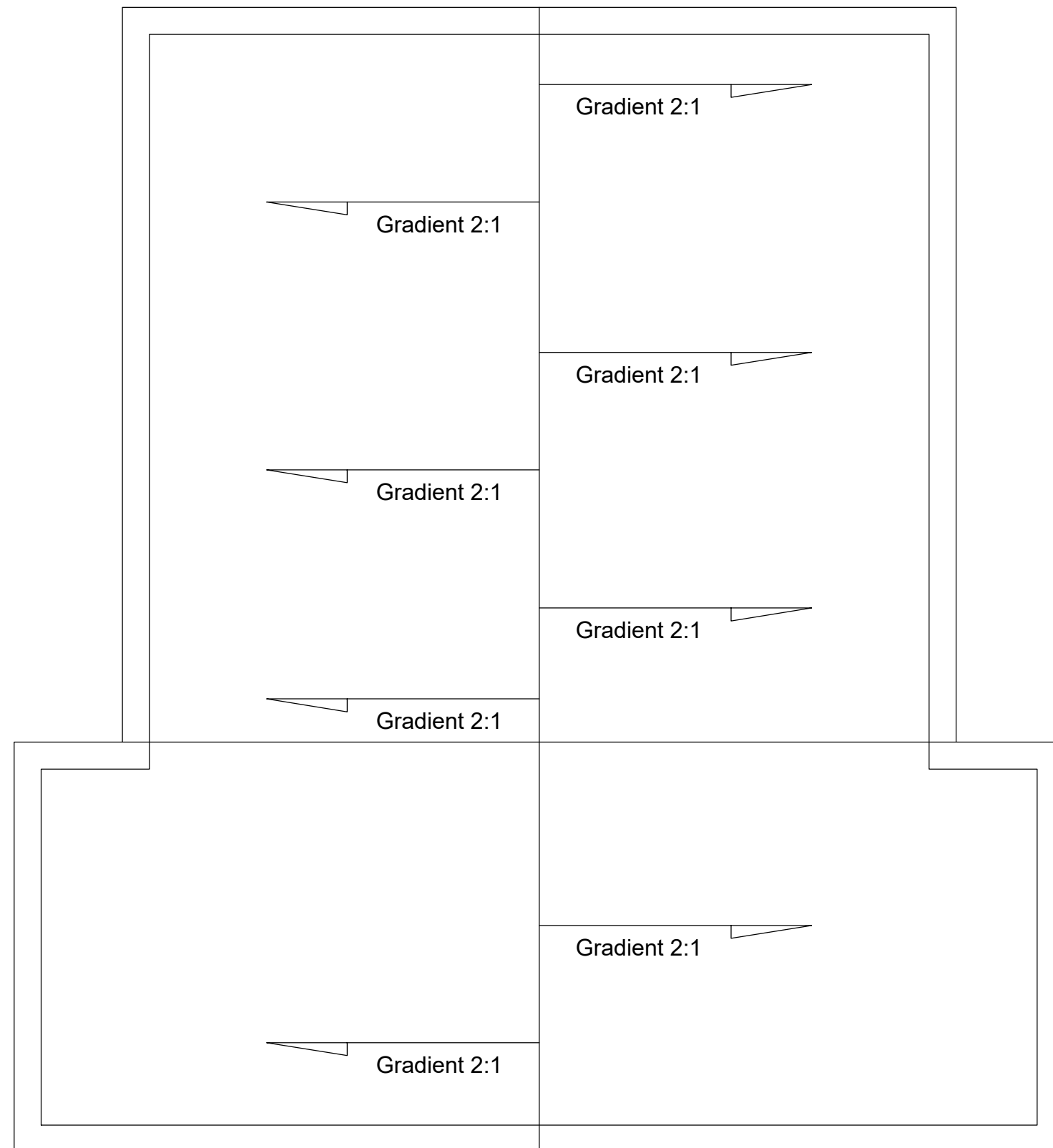
Left Side Elevation

DESIGN BY		SCALE	1:100	PROJECT	PROVISION OF FACILITATION AND TECHNICAL SERVICES FOR CREATION OF ESSENTIAL FRAMEWORK CONDITIONS, CAPACITY BUILDING, PREPARATION OF DETAILED ENGINEERING DESIGNS AND BIDDING DOCUMENTS, AND CONSTRUCTION SUPERVISION OF THE OFF-GRID SANITATION WORKS IN DAR ES SALAAM	REVISION		CLIENT	DAR ES SALAAM WATER SUPPLY & SANITATION AUTHORITY (DAWASA)
DRAWN BY				TITLE	TYPICAL DRAWINGS FOR PUBLIC TOILET TYPE 3 FOR BUS STAND AND MARKET AREAS	DATE		CONSULTANT	DOHWA Engineering CO., LTD IN ASSOCIATION WITH LUPTAN CONSULTS LTD AND WWS
CHECKED BY					ELEVATION VIEWS OF PUBLIC TOILET FOR 105m <sup>2</sup> GROUND TYPE	NATURE OF REV.			
APPROVED BY		DATE	APRIL-2021			CHECKED BY			
SHEET NO:		DRAWING NO.	PT-TYPC-202			APPROVED BY			



**NOTES:**

1. ALL DIMENSIONS ARE IN MILLIMETERS UNLESS OTHERWISE SHOWN
2. DO NOT SCALE FROM THIS DRAWING
3. THE SCALES GIVEN ON THIS DRAWING REFER TO THE A1 SIZE ORIGINAL DRAWING
4. THE SUBGRADE SHALL BE COMPACTED TO 99% MAXIMUM DRY DENSITY BEFORE THE PLACEMENT OF HARDCORE
5. CONCRETE SHALL BE CLASS C30/37 FOR STRUCTURAL MEMBERS AND CLASS C8/10 FOR BLINDING
6. THE MAXIMUM SIZE OF AGGREGATE SHALL BE 20mm UNLESS OTHERWISE SHOWN
7. REINFORCEMENT SHALL BE HIGH TENSILE DEFORMED TYPE WITH A CHARACTERISTIC YIELD STRESS OF AT LEAST 429N/mm<sup>2</sup>
8. COVER TO REINFORCEMENT SHALL BE:
  - FOUNDATIONS 50mm
  - SLABS 25mm
  - WALLS AND BEAMS 30mm
9. LAPS TO ALL REINFORCEMENT SHALL BE 50 \* BAR DIAMETER UNLESS OTHERWISE SHOWN



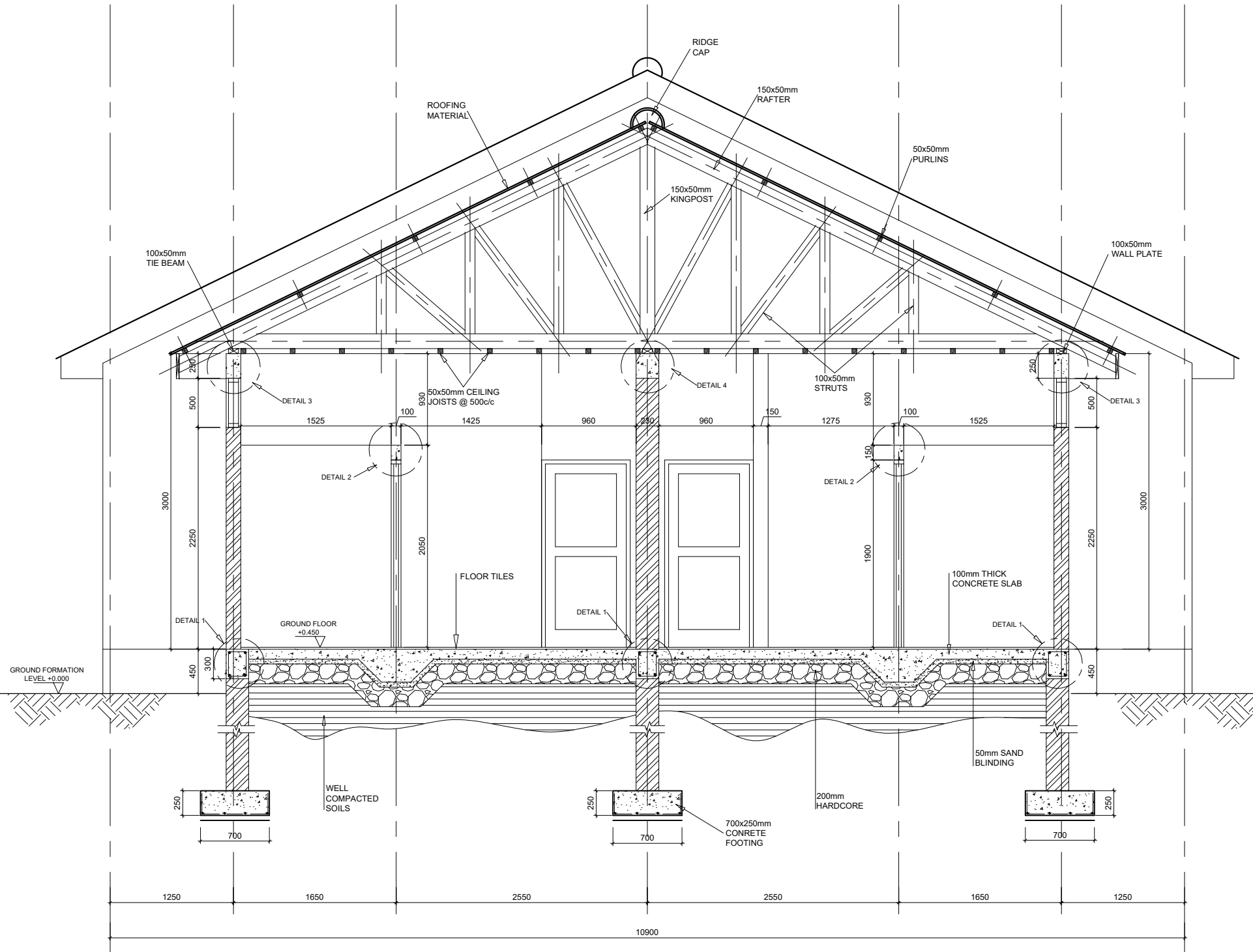
Roof Plan

DESIGN BY		SCALE	1:60	PROJECT	PROVISION OF FACILITATION AND TECHNICAL SERVICES FOR CREATION OF ESSENTIAL FRAMEWORK CONDITIONS, CAPACITY BUILDING, PREPARATION OF DETAILED ENGINEERING DESIGNS AND BIDDING DOCUMENTS, AND CONSTRUCTION SUPERVISION OF THE OFF-GRID SANITATION WORKS IN DAR ES SALAAM	REVISION		CLIENT	DAR ES SALAAM WATER SUPPLY & SANITATION AUTHORITY (DAWASA)
DRAWN BY				TITLE	TYPICAL DRAWINGS FOR PUBLIC TOILET TYPE 3 FOR BUS STAND AND MARKET AREAS	DATE		CONSULTANT	DOHWA Engineering CO., LTD IN ASSOCIATION WITH LUPTAN CONSULTS LTD AND WWS
CHECKED BY					ROOF PLAN OF PUBLIC TOILET FOR 105m <sup>2</sup> GROUND TYPE	NATURE OF REV.			
APPROVED BY		DATE	APRIL-2021			CHECKED BY			
SHEET NO:		DRAWING NO.	PT-TYPC-203			APPROVED BY			

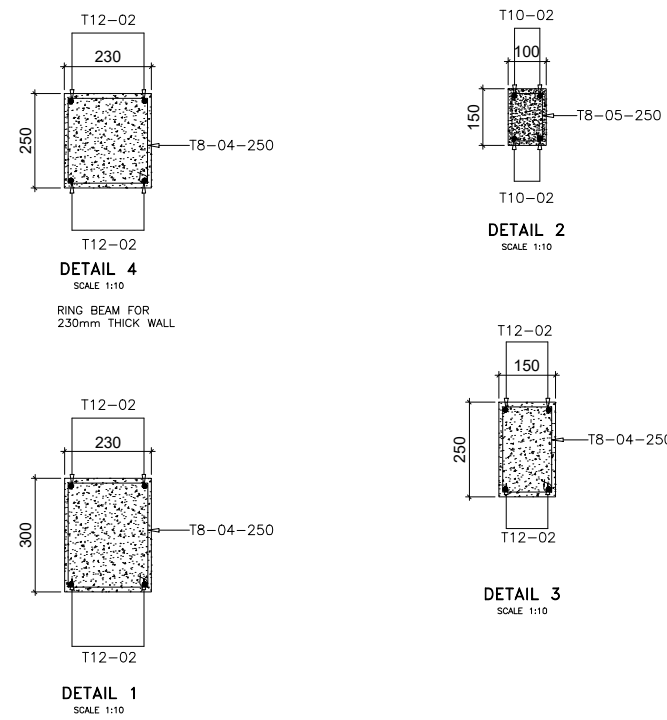


**NOTES:**

1. ALL DIMENSIONS ARE IN MILLIMETERS UNLESS OTHERWISE SHOWN
2. DO NOT SCALE FROM THIS DRAWING
3. THE SCALES GIVEN ON THIS DRAWING REFER TO THE A1 SIZE ORIGINAL DRAWING
4. THE SUBGRADE SHALL BE COMPACTED TO 99% MAXIMUM DRY DENSITY BEFORE THE PLACEMENT OF HARDCORE
5. CONCRETE SHALL BE CLASS C30/37 FOR STRUCTURAL MEMBERS AND CLASS C8/10 FOR BLINDING
6. THE MAXIMUM SIZE OF AGGREGATE SHALL BE 20mm UNLESS OTHERWISE SHOWN
7. REINFORCEMENT SHALL BE HIGH TENSILE DEFORMED TYPE WITH A CHARACTERISTIC YIELD STRESS OF AT LEAST 429N/mm<sup>2</sup>
8. COVER TO REINFORCEMENT SHALL BE:
  - FOUNDATIONS 50mm
  - SLABS 25mm
  - WALLS AND BEAMS 30mm
9. LAPS TO ALL REINFORCEMENT SHALL BE 50 \* BAR DIAMETER UNLESS OTHERWISE SHOWN



**SECTION A-A**  
SCALE 1:50

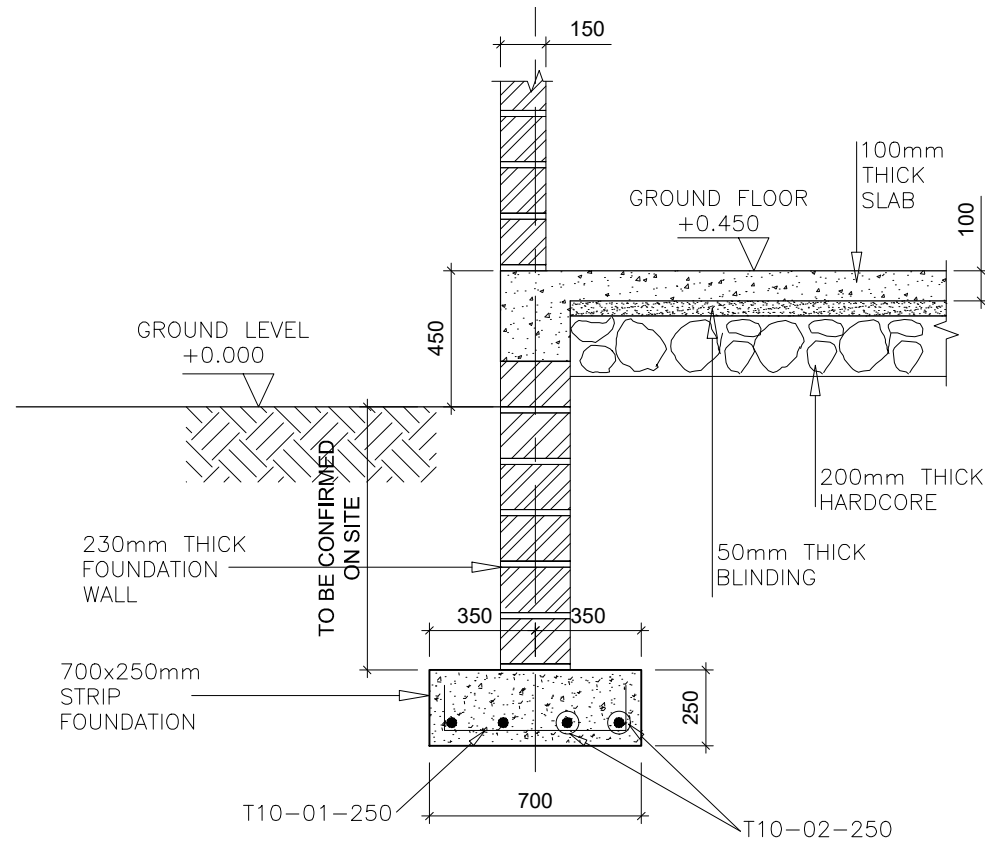


DESIGN BY		SCALE	1:60	PROJECT	PROVISION OF FACILITATION AND TECHNICAL SERVICES FOR CREATION OF ESSENTIAL FRAMEWORK CONDITIONS, CAPACITY BUILDING, PREPARATION OF DETAILED ENGINEERING DESIGNS AND BIDDING DOCUMENTS, AND CONSTRUCTION SUPERVISION OF THE OFF-GRID SANITATION WORKS IN DAR ES SALAAM	REVISION		CLIENT	DAR ES SALAAM WATER SUPPLY & SANITATION AUTHORITY (DAWASA)
DRAWN BY		DATE	APRIL-2021	TITLE	TYPICAL DRAWINGS FOR PUBLIC TOILET TYPE 3 FOR BUS STAND AND MARKET AREAS	DATE		CONSULTANT	DOHWA Engineering Co., LTD IN ASSOCIATION WITH LUPTAN CONSULTS LTD AND WWS
CHECKED BY		DRAWING NO.	PT-TYPC-204		SECTION DETAILS OF PUBLIC TOILET FOR 105m <sup>2</sup> GROUND TYPE	NATURE OF REV.			
APPROVED BY						CHECKED BY			
SHEET NO:						APPROVED BY			

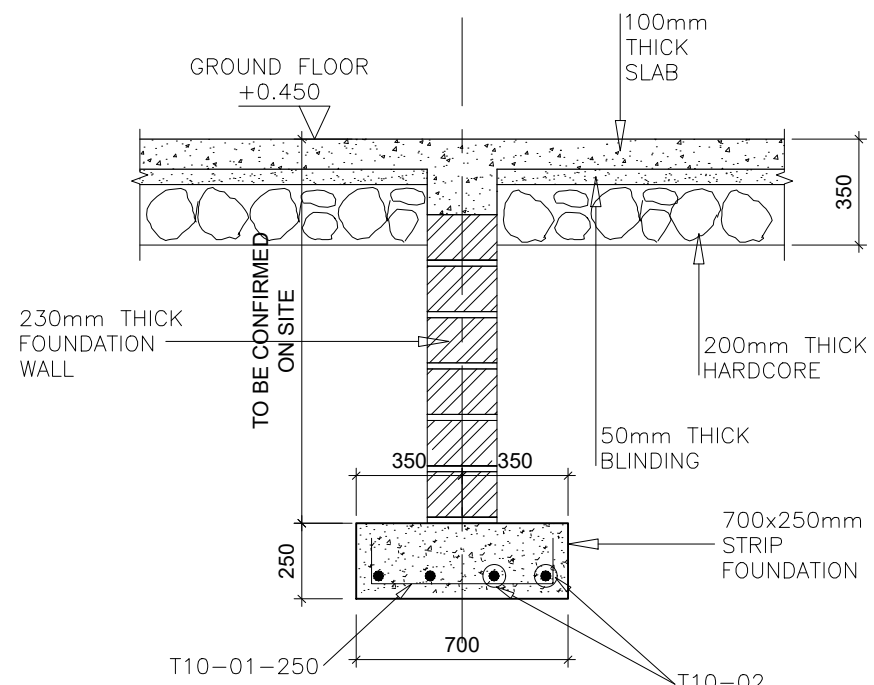


**NOTES:**

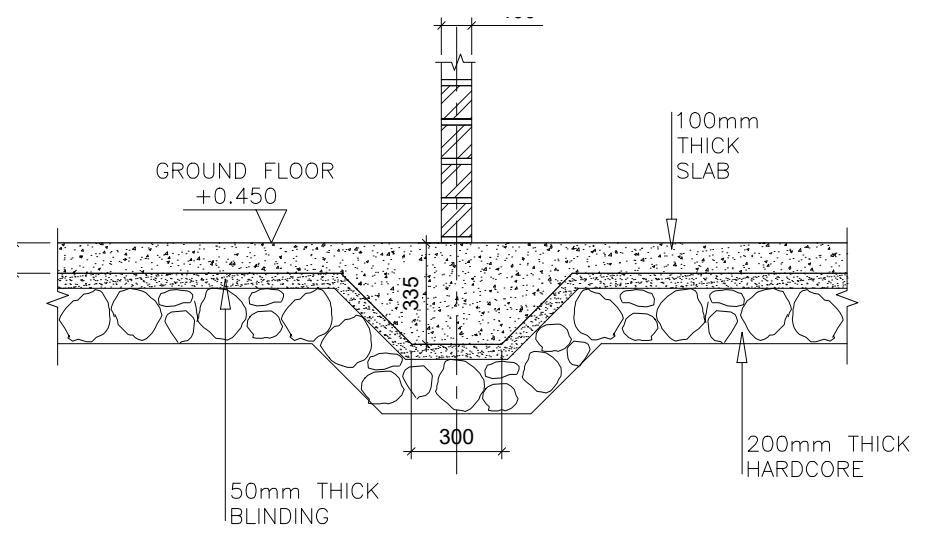
1. ALL DIMENSIONS ARE IN MILLIMETERS UNLESS OTHERWISE SHOWN
2. DO NOT SCALE FROM THIS DRAWING
3. THE SCALES GIVEN ON THIS DRAWING REFER TO THE A1 SIZE ORIGINAL DRAWING
4. THE SUBGRADE SHALL BE COMPACTED TO 99% MAXIMUM DRY DENSITY BEFORE THE PLACEMENT OF HARDCORE
5. CONCRETE SHALL BE CLASS C30/37 FOR STRUCTURAL MEMBERS AND CLASS C8/10 FOR BLINDING
6. THE MAXIMUM SIZE OF AGGREGATE SHALL BE 20mm UNLESS OTHERWISE SHOWN
7. REINFORCEMENT SHALL BE HIGH TENSILE DEFORMED TYPE WITH A CHARACTERISTIC YIELD STRESS OF AT LEAST 429N/mm<sup>2</sup>
8. COVER TO REINFORCEMENT SHALL BE:
  - FOUNDATIONS 50mm
  - SLABS 25mm
  - WALLS AND BEAMS 30mm
9. LAPS TO ALL REINFORCEMENT SHALL BE 50 \* BAR DIAMETER UNLESS OTHERWISE SHOWN



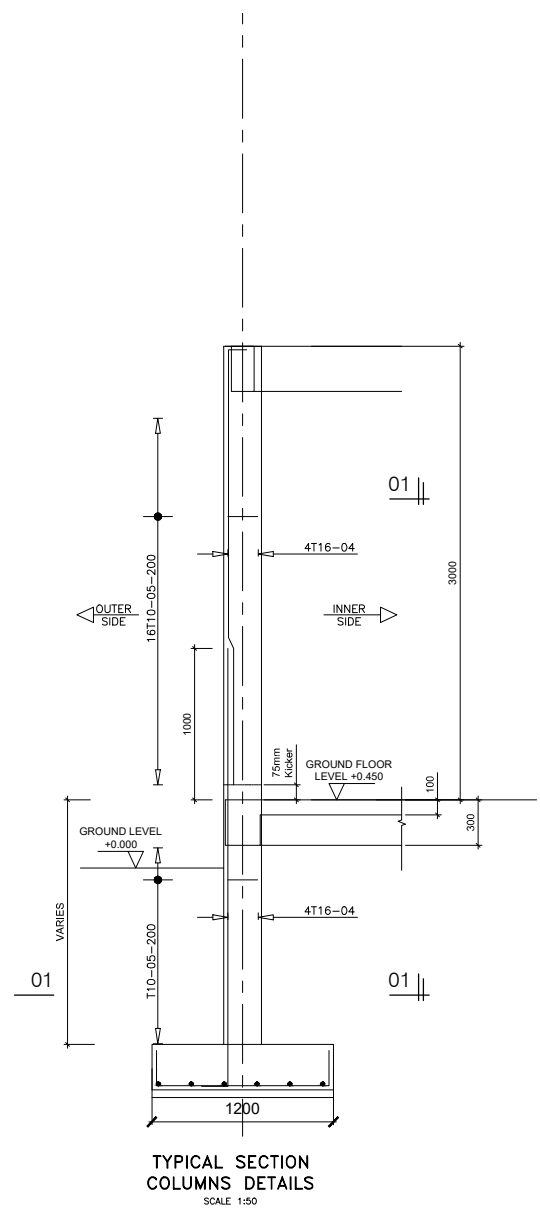
**SECTION EXTERNAL WALL**  
SCALE 1:25



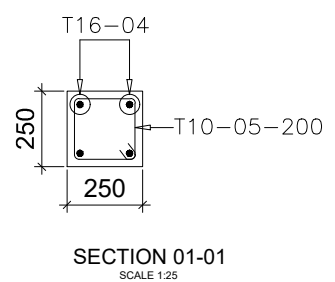
**SECTION INTERNAL WALL**  
1:25



**TYPICAL SECTION PARTITION WALLS/NON LOAD BEARING WALLS**  
SCALE 1:25



**TYPICAL SECTION COLUMNS DETAILS**  
SCALE 1:50



**SECTION 01-01**  
SCALE 1:25

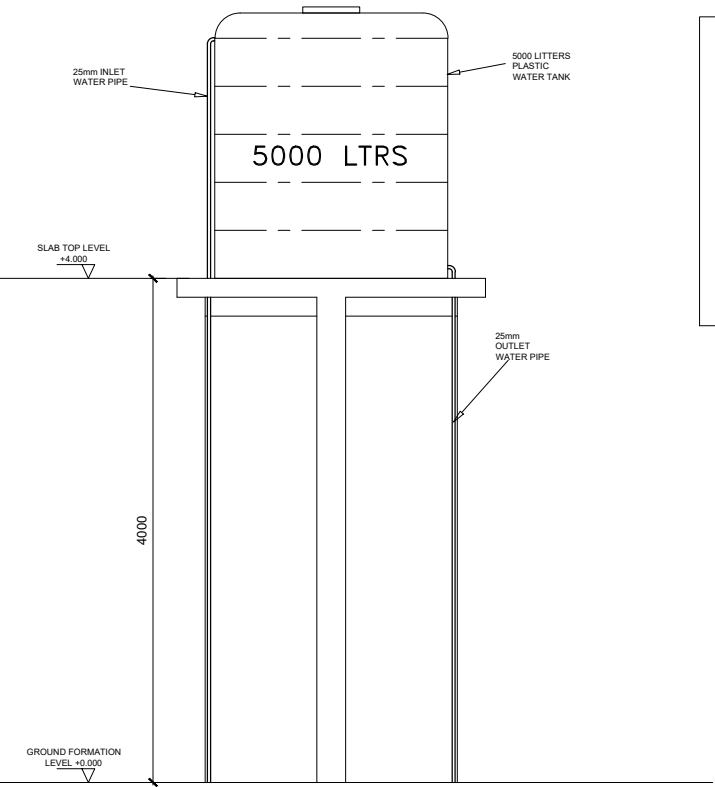
DESIGN BY		SCALE	1:60	PROJECT	PROVISION OF FACILITATION AND TECHNICAL SERVICES FOR CREATION OF ESSENTIAL FRAMEWORK CONDITIONS, CAPACITY BUILDING, PREPARATION OF DETAILED ENGINEERING DESIGNS AND BIDDING DOCUMENTS, AND CONSTRUCTION SUPERVISION OF THE OFF-GRID SANITATION WORKS IN DAR ES SALAAM	REVISION		CLIENT	DAR ES SALAAM WATER SUPPLY & SANITATION AUTHORITY (DAWASA)
DRAWN BY				TITLE	TYPICAL DRAWINGS FOR PUBLIC TOILET TYPE 3 FOR BUS STAND AND MARKET AREAS	DATE		CONSULTANT	DOHWA Engineering Co., LTD IN ASSOCIATION WITH LUPTAN CONSULTS LTD AND WWS
CHECKED BY					COLUMN AND FOUNDATION DETAILS FOR PUBLIC TOILET FOR 105m <sup>2</sup> GROUND TYPE	NATURE OF REV.			
APPROVED BY		DATE	APRIL-2021			CHECKED BY			
SHEET NO:		DRAWING NO.	PT-TYPC-205			APPROVED BY			



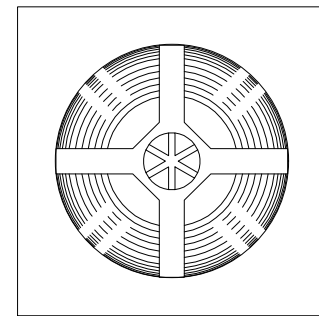
SCALE 1:50

**NOTES:**

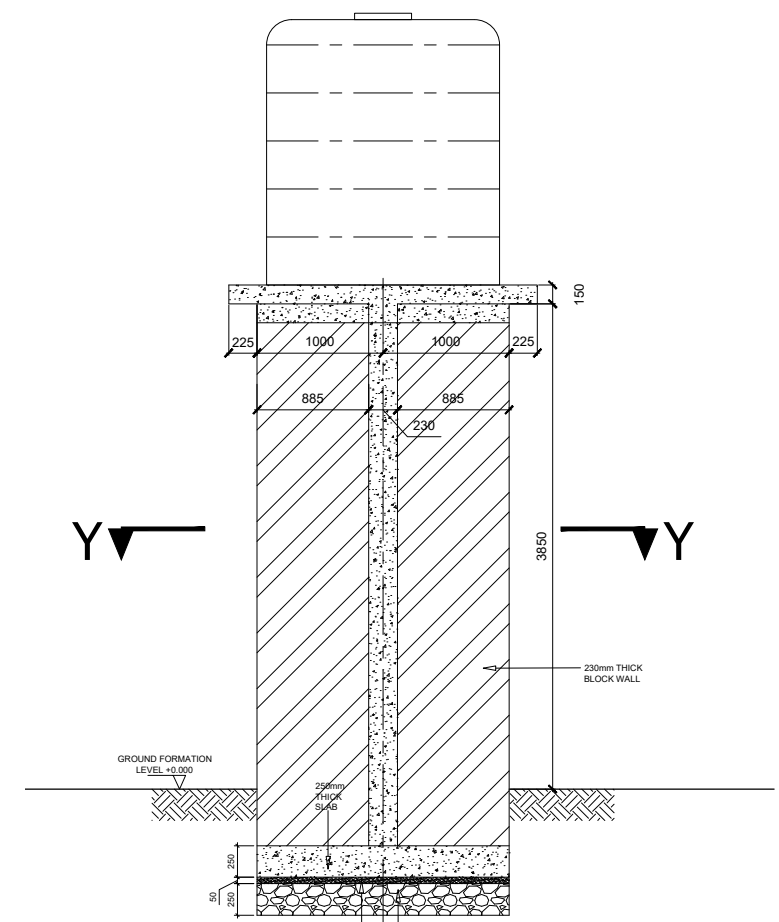
1. ALL DIMENSIONS ARE IN MILLIMETERS UNLESS OTHERWISE SHOWN
2. DO NOT SCALE FROM THIS DRAWING
3. THE SCALES GIVEN ON THIS DRAWING REFER TO THE A1 SIZE ORIGINAL DRAWING
4. THE SUBGRADE SHALL BE COMPACTED TO 99% MAXIMUM DRY DENSITY BEFORE THE PLACEMENT OF HARDCORE
5. CONCRETE SHALL BE CLASS C30/37 FOR STRUCTURAL MEMBERS AND CLASS C8/10 FOR BLINDING
6. THE MAXIMUM SIZE OF AGGREGATE SHALL BE 20mm UNLESS OTHERWISE SHOWN
7. REINFORCEMENT SHALL BE HIGH TENSILE DEFORMED TYPE WITH A CHARACTERISTIC YIELD STRESS OF AT LEAST 429N/mm<sup>2</sup>
8. COVER TO REINFORCEMENT SHALL BE:
  - FOUNDATIONS 50mm
  - SLABS 25mm
  - WALLS AND BEAMS 30mm
9. LAPS TO ALL REINFORCEMENT SHALL BE 50 \* BAR DIAMETER UNLESS OTHERWISE SHOWN



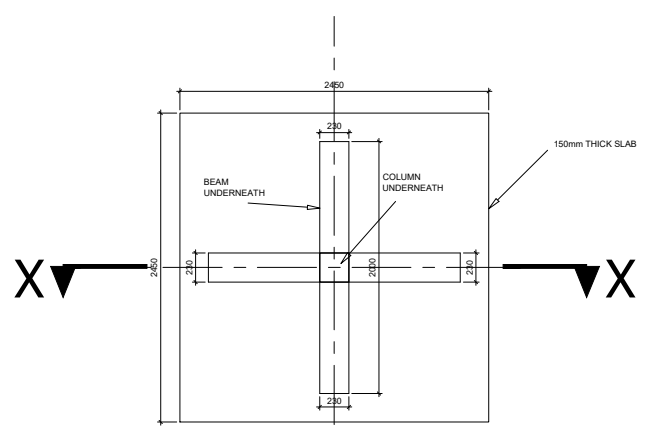
**WATER TOWER ELEVATION VIEW - GENERAL ARRANGEMENT**  
SCALE 1:50



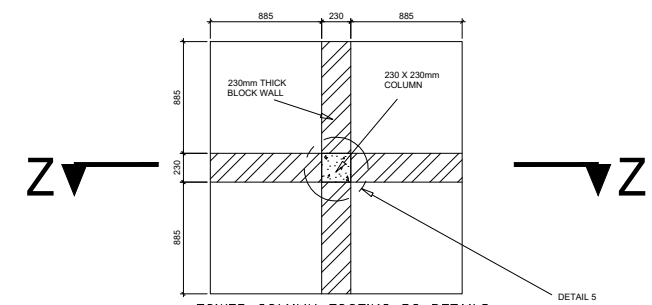
**WATER TOWER TOP VIEW - GENERAL ARRANGEMENT**  
SCALE 1:50



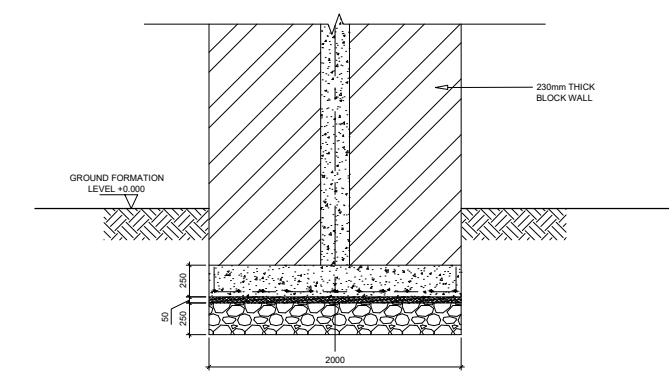
**WATER TOWER SECTION X-X**  
SCALE 1:50



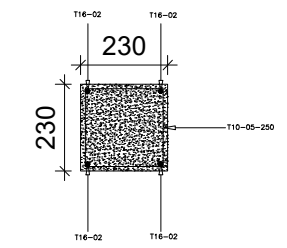
**WATER TOWER TOP VIEW**  
SCALE 1:50



**TOWER COLUMN FOOTING RC DETAILS (SECTION Y-Y)**  
SCALE 1:50



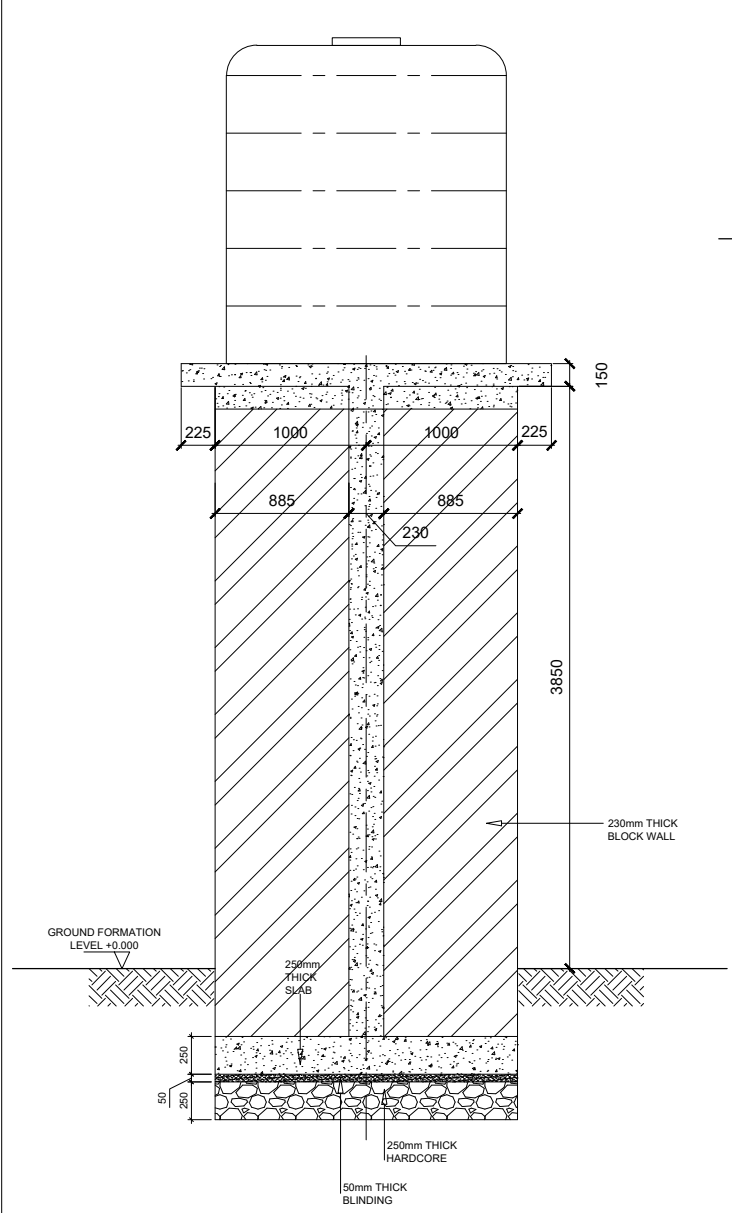
**TOWER COLUMN FOOTING RC DETAILS (SECTION Z-Z)**  
SCALE 1:50



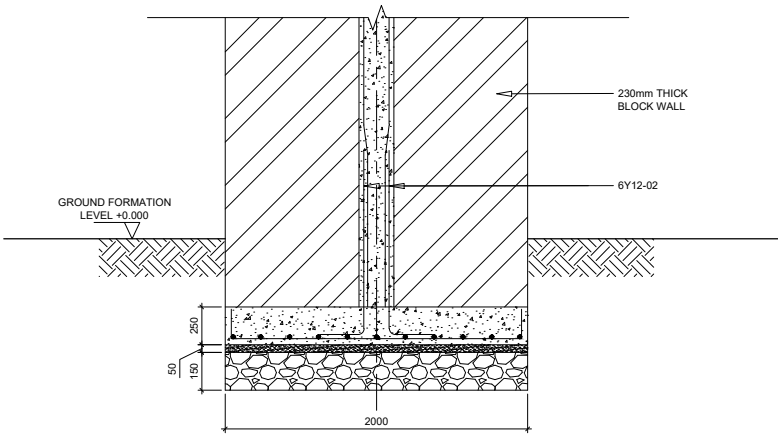
**DETAIL 5 - COLUMN RC DETAILS**  
SCALE 1:25

DESIGN BY		SCALE	1:60	PROJECT	PROVISION OF FACILITATION AND TECHNICAL SERVICES FOR CREATION OF ESSENTIAL FRAMEWORK CONDITIONS, CAPACITY BUILDING, PREPARATION OF DETAILED ENGINEERING DESIGNS AND BIDDING DOCUMENTS, AND CONSTRUCTION SUPERVISION OF THE OFF-GRID SANITATION WORKS IN DAR ES SALAAM	REVISION		CLIENT	DAR ES SALAAM WATER SUPPLY & SANITATION AUTHORITY (DAWASA)
DRAWN BY		DATE	APRIL-2021	TITLE	TYPICAL DRAWINGS FOR PUBLIC TOILET TYPE 3 FOR BUS STAND AND MARKET AREAS	DATE		CONSULTANT	DOHWA Engineering CO., LTD IN ASSOCIATION WITH LUPTAN CONSULTS LTD AND WWS
CHECKED BY		DRAWING NO.	PT-TYPC-206		WATER STORAGE TANK TOWER GENERAL ARRANGEMENT DETAILS - PUBLIC TOILET FOR 105m <sup>2</sup> GROUND TYPE	NATURE OF REV.			
APPROVED BY						CHECKED BY			
SHEET NO:						APPROVED BY			

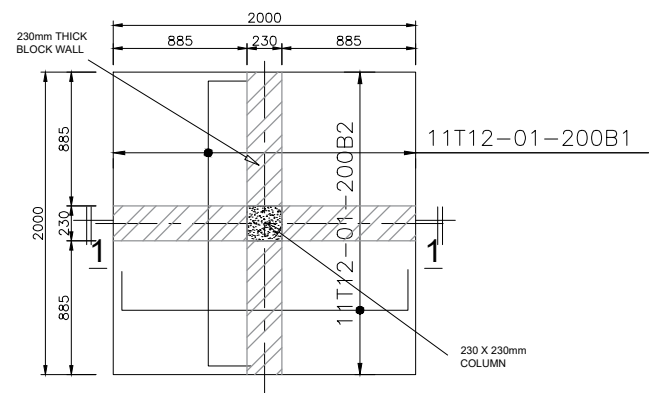




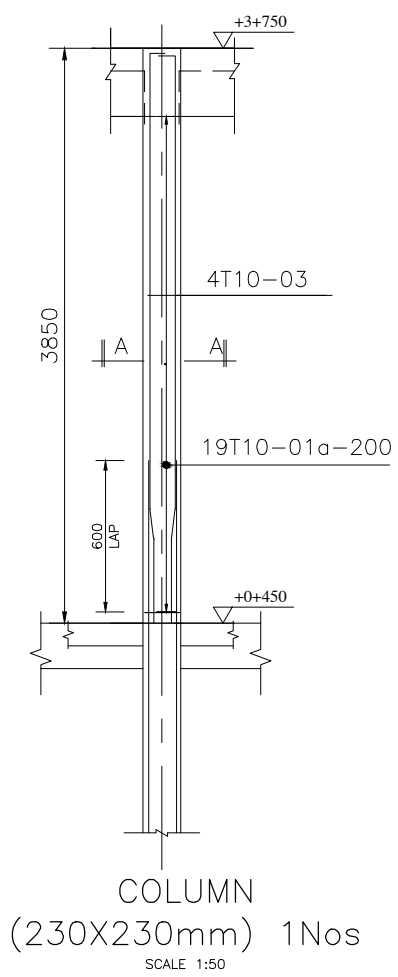
**WATER TOWER SECTION**  
SCALE 1:50



**SECTION 1-1**  
SCALE 1:50



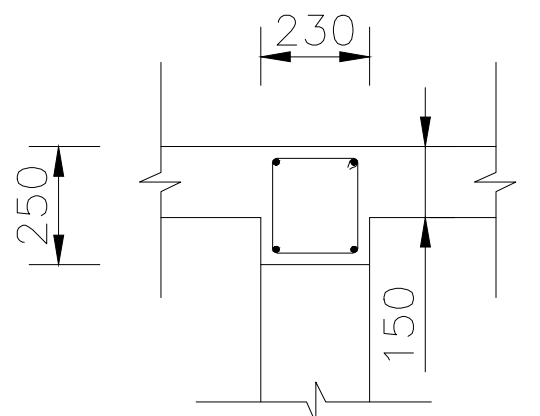
**TOWER COLUMN FOOTING RC DETAILS**  
SCALE 1:50



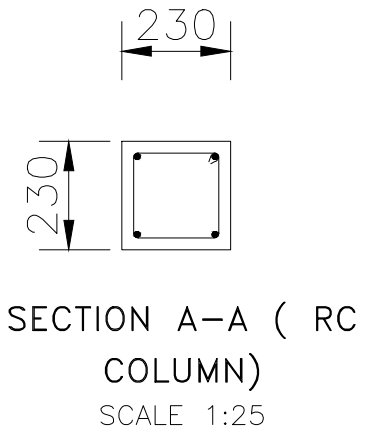
**COLUMN**  
(230X230mm) 1Nos  
SCALE 1:50

**NOTES:**

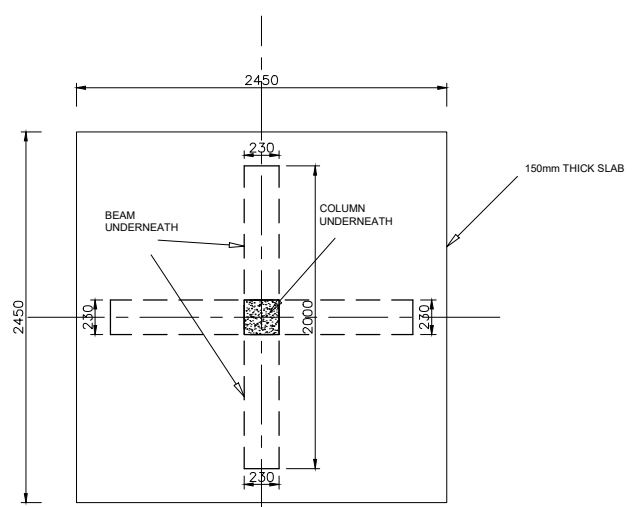
1. ALL DIMENSIONS ARE IN MILLIMETERS UNLESS OTHERWISE SHOWN
2. DO NOT SCALE FROM THIS DRAWING
3. THE SCALES GIVEN ON THIS DRAWING REFER TO THE A1 SIZE ORIGINAL DRAWING
4. THE SUBGRADE SHALL BE COMPACTED TO 99% MAXIMUM DRY DENSITY BEFORE THE PLACEMENT OF HARDCORE
5. CONCRETE SHALL BE CLASS C30/37 FOR STRUCTURAL MEMBERS AND CLASS C8/10 FOR BLINDING
6. THE MAXIMUM SIZE OF AGGREGATE SHALL BE 20mm UNLESS OTHERWISE SHOWN
7. REINFORCEMENT SHALL BE HIGH TENSILE DEFORMED TYPE WITH A CHARACTERISTIC YIELD STRESS OF AT LEAST 429N/mm<sup>2</sup>
8. COVER TO REINFORCEMENT SHALL BE:
  - FOUNDATIONS 50mm
  - SLABS 25mm
  - WALLS AND BEAMS 30mm
9. LAPS TO ALL REINFORCEMENT SHALL BE 50 \* BAR DIAMETER UNLESS OTHERWISE SHOWN



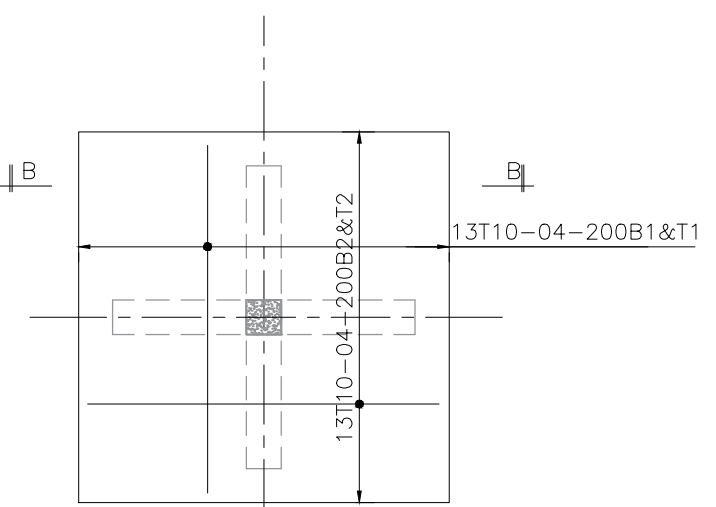
**SECTION B-B (RC BEAM)**  
SCALE 1:25



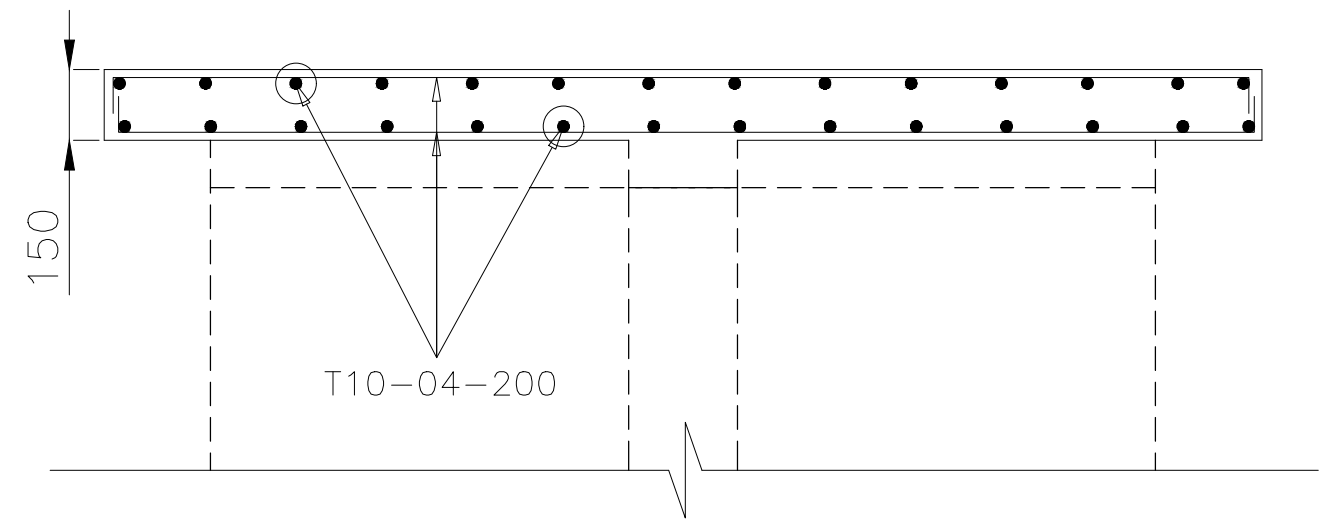
**SECTION A-A (RC COLUMN)**  
SCALE 1:25



**BEAM LAYOUT PLAN**  
SCALE 1:50



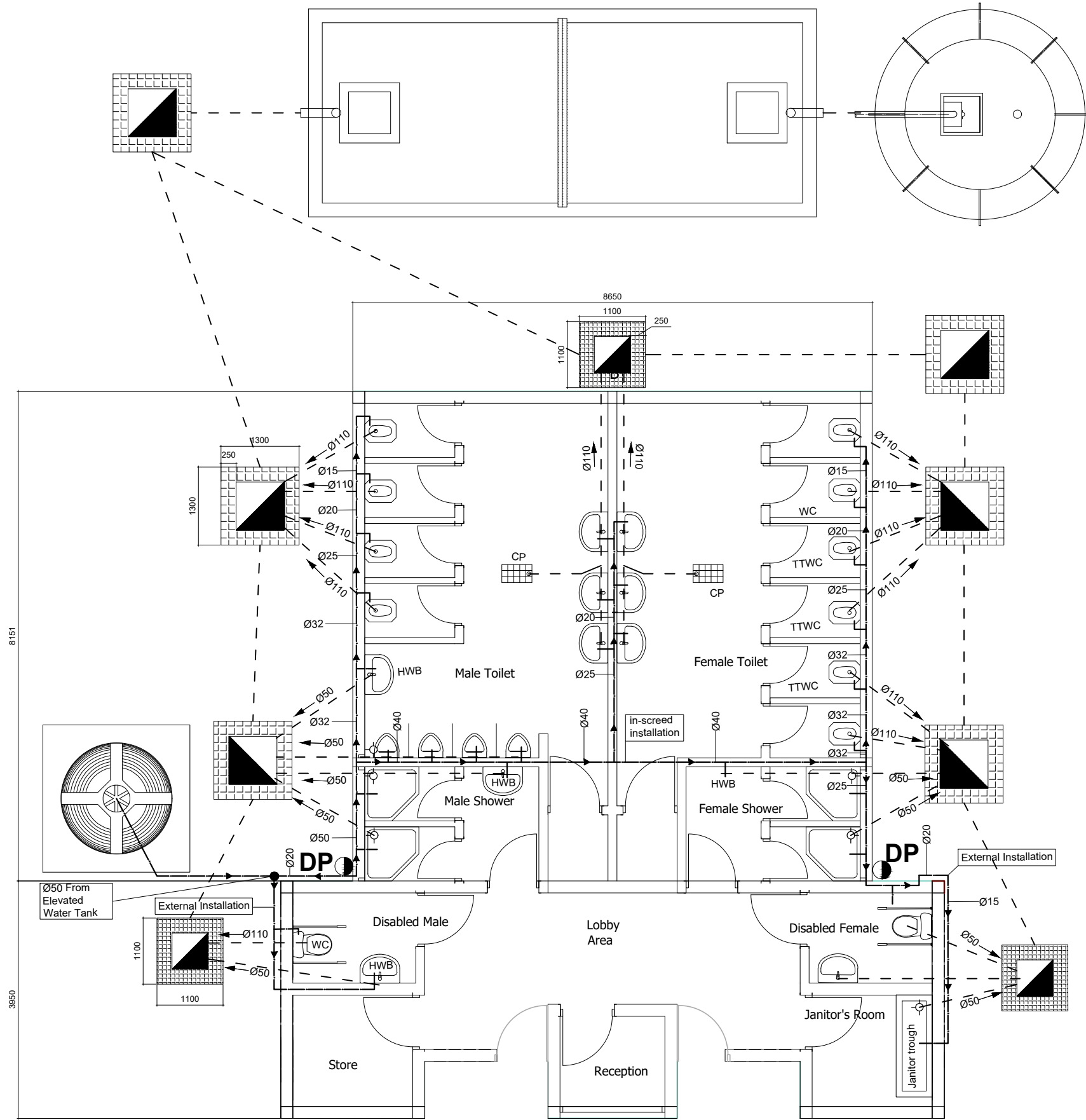
**SLAB RC DETAILS**  
SCALE 1:50





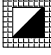

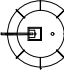
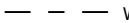
**SECTION B-B (RC SLAB)**  
SCALE 1:25

DESIGN BY	SCALE	AS SHOWN	PROJECT	REVISION	CLIENT
DRAWN BY			PROVISION OF FACILITATION AND TECHNICAL SERVICES FOR CREATION OF ESSENTIAL FRAMEWORK CONDITIONS, CAPACITY BUILDING, PREPARATION OF DETAILED ENGINEERING DESIGNS AND BIDDING DOCUMENTS, AND CONSTRUCTION SUPERVISION OF THE OFF-GRID SANITATION WORKS IN DAR ES SALAAM	DATE	DAR ES SALAAM WATER SUPPLY & SANITATION AUTHORITY (DAWASA)
CHECKED BY			TITLE	NATURE OF REV.	CONSULTANT
APPROVED BY	DATE	MAY-2021	TYPICAL DRAWINGS FOR PUBLIC TOILET TYPE 3 FOR BUS STAND AND MARKET AREAS	CHECKED BY	DOHWA Engineering CO., LTD IN ASSOCIATION WITH LUPTAN CONSULTS LTD AND WWS
SHEET NO:	DRAWING NO.	PT-TYPC-207	WATER STORAGE TANK TOWER RC DETAILS - PUBLIC TOILET FOR 105m <sup>2</sup> GROUND TYPE	APPROVED BY	



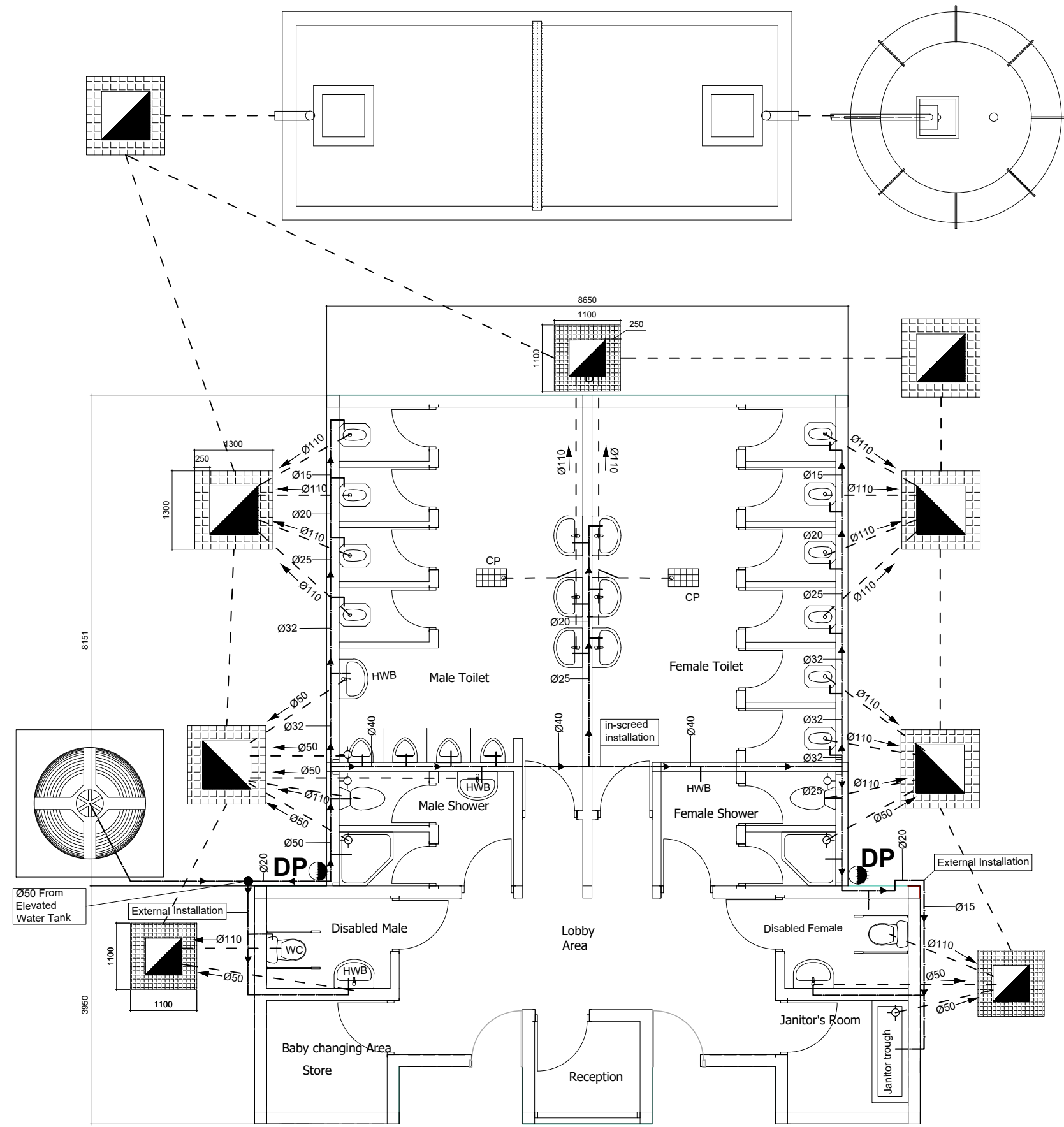


**LEGEND**


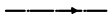

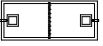
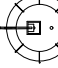

-  Water Supply Elevated Storage Tank
-  Water Supply Pipe
-  Wastewater Chamber/Manhole
-  Septic Tank
-  Soakaway Pit
-  Wastewater/Drainage Pipe

DESIGN BY		SCALE	1:80	PROJECT	PROVISION OF FACILITATION AND TECHNICAL SERVICES FOR CREATION OF ESSENTIAL FRAMEWORK CONDITIONS, CAPACITY BUILDING, PREPARATION OF DETAILED ENGINEERING DESIGNS AND BIDDING DOCUMENTS, AND CONSTRUCTION SUPERVISION OF THE OFF-GRID SANITATION WORKS IN DAR ES SALAAM	REVISION		CLIENT	DAR ES SALAAM WATER SUPPLY & SANITATION AUTHORITY (DAWASA)
DRAWN BY				TITLE	TYPICAL DRAWINGS FOR PUBLIC TOILET TYPE 3 FOR MARKET AREAS	DATE		CONSULTANT	DOHWA Engineering CO., LTD IN ASSOCIATION WITH LUPTAN CONSULTS LTD AND WWS
CHECKED BY					WATER SUPPLY AND DRAINAGE DETAILS OF PUBLIC TOILET FOR 105m <sup>2</sup> GROUND TYPE	NATURE OF REV.			
APPROVED BY		DATE	APRIL-2021			CHECKED BY			
SHEET NO:		DRAWING NO.	PT-TYPC-208			APPROVED BY			



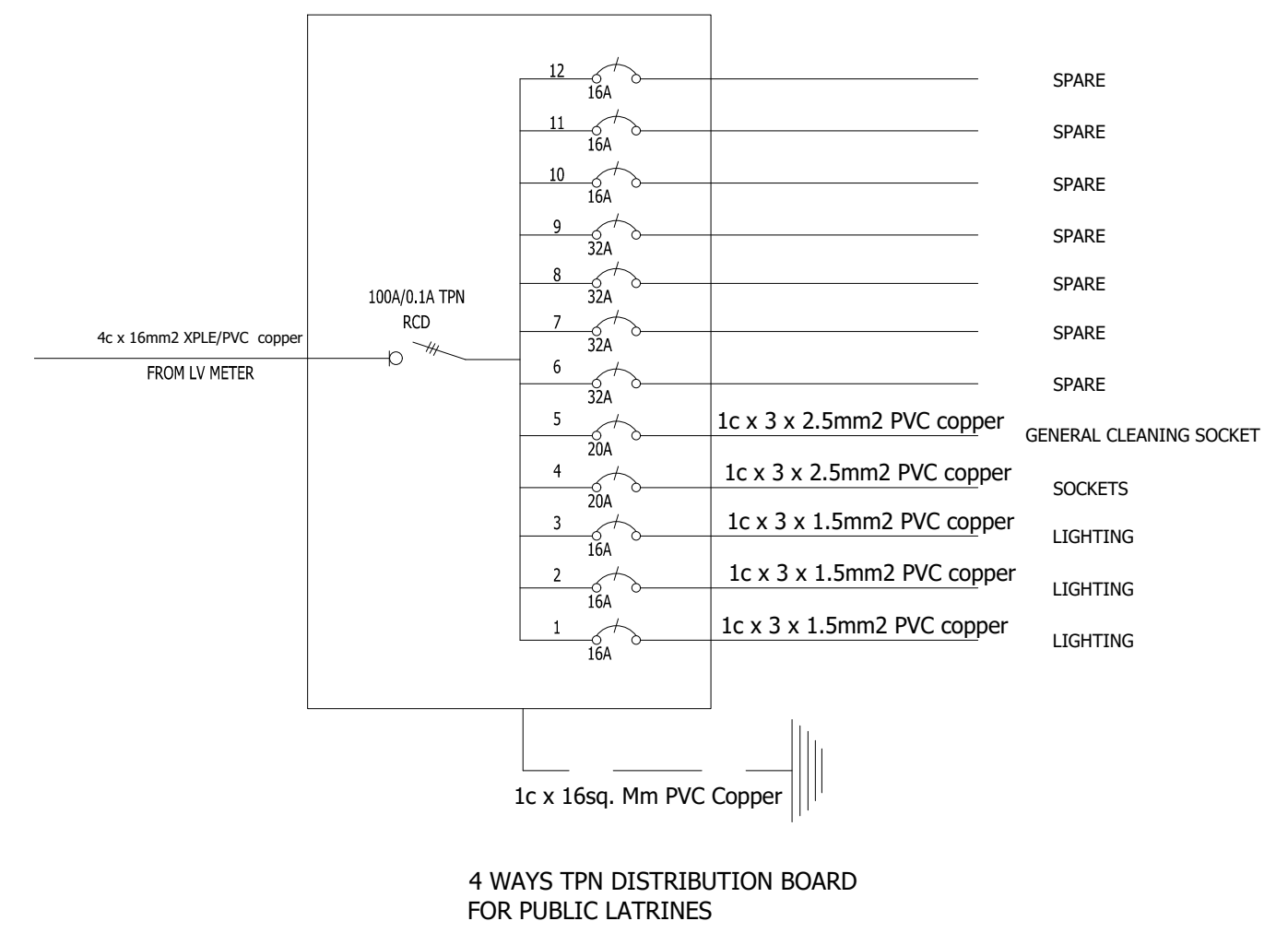
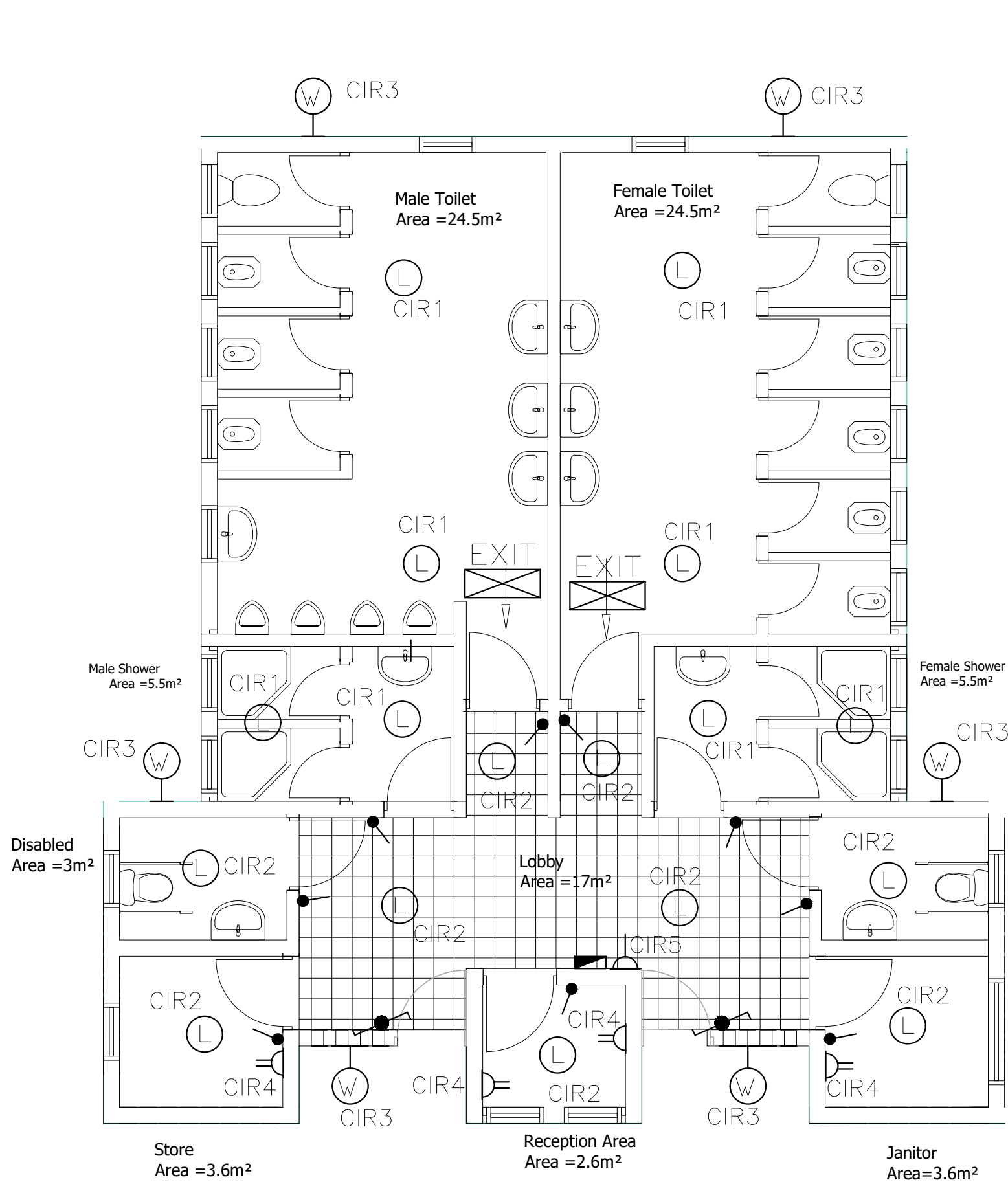


**LEGEND**

-  Water Supply Elevated Storage Tank
-  Water Supply Pipe
-  Wastewater Chamber/Manhole
-  Septic Tank
-  Soakaway Pit
-  Wastewater/Drainage Pipe

DESIGN BY		SCALE	1:80	PROJECT	PROVISION OF FACILITATION AND TECHNICAL SERVICES FOR CREATION OF ESSENTIAL FRAMEWORK CONDITIONS, CAPACITY BUILDING, PREPARATION OF DETAILED ENGINEERING DESIGNS AND BIDDING DOCUMENTS, AND CONSTRUCTION SUPERVISION OF THE OFF-GRID SANITATION WORKS IN DAR ES SALAAM	REVISION		CLIENT	DAR ES SALAAM WATER SUPPLY & SANITATION AUTHORITY (DAWASA)
DRAWN BY				TITLE	TYPICAL DRAWINGS FOR PUBLIC TOILET TYPE 3 FOR BUS STAND AREAS	DATE		CONSULTANT	DOHWA Engineering CO., LTD IN ASSOCIATION WITH LUPTAN CONSULTS LTD AND WWS
CHECKED BY					WATER SUPPLY AND DRAINAGE DETAILS OF PUBLIC TOILET FOR 105m <sup>2</sup> GROUND TYPE	NATURE OF REV.			
APPROVED BY		DATE	APRIL-2021			CHECKED BY			
SHEET NO:		DRAWING NO.	PT-TYPC-209			APPROVED BY			



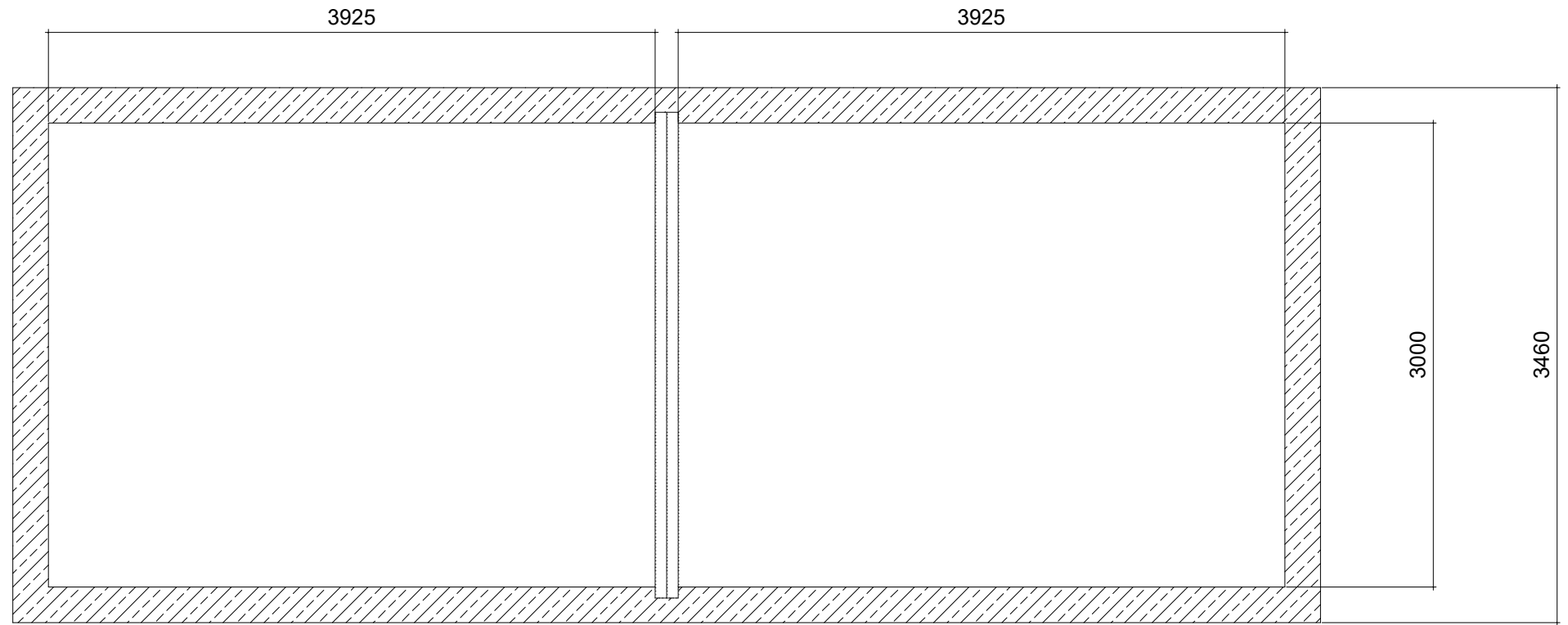


### LEGEND

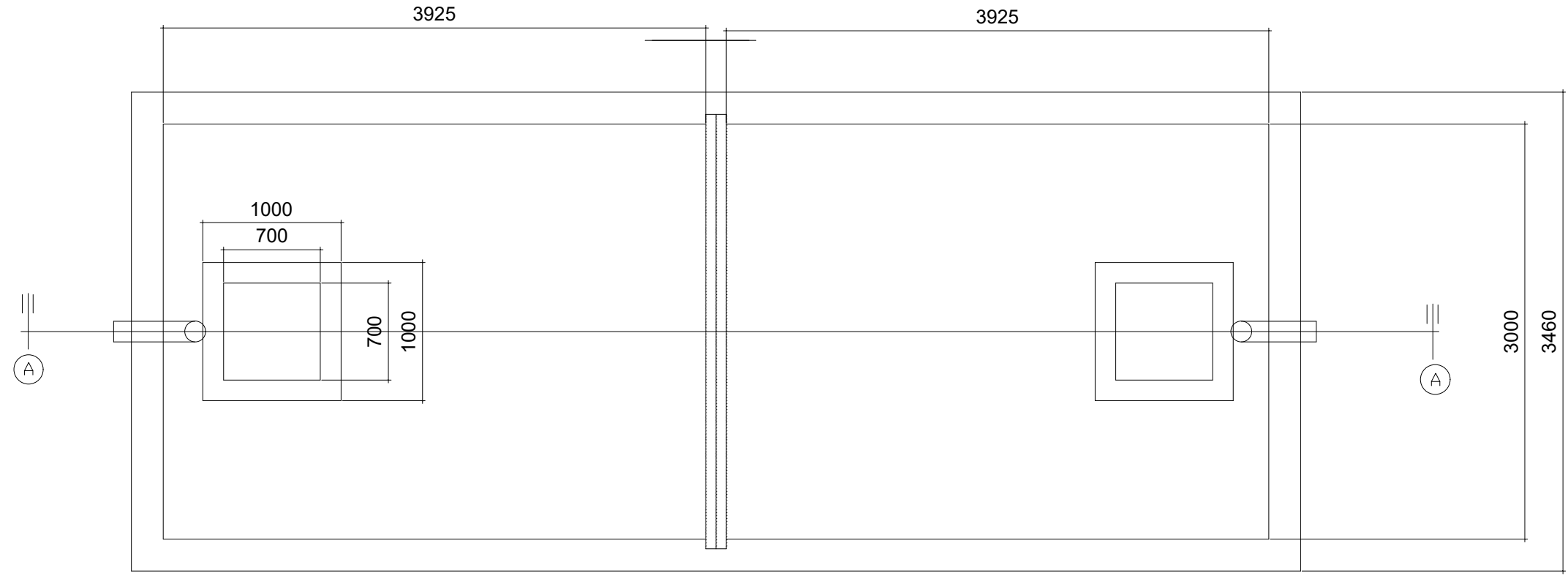
- LED CEILING LIGHT OUTLET POINT
- 10A ONE GANG ONE WAY SWITCHES @1200 AFFL
- LED EXIT SIGN WITH DOWN ARROW
- 10A ONE GANG TWO WAY SWITCH @1200 AFFL
- LED WALL MOUNTED LIGHTS @2500 AFFL
- DISTRIBUTION BOARDS @1800AFFL TO CENTER
- 2 GANG 13A DP SWITCHED SOCKET OUTLET @300 AFFL
- 1 GANG 13A DP SWITCHED SOCKETS FOR GENERAL CLEANING @500AFFL

DESIGN BY		SCALE	1:60	PROJECT	PROVISION OF FACILITATION AND TECHNICAL SERVICES FOR CREATION OF ESSENTIAL FRAMEWORK CONDITIONS, CAPACITY BUILDING, PREPARATION OF DETAILED ENGINEERING DESIGNS AND BIDDING DOCUMENTS, AND CONSTRUCTION SUPERVISION OF THE OFF-GRID SANITATION WORKS IN DAR ES SALAAM	REVISION		CLIENT	DAR ES SALAAM WATER SUPPLY & SANITATION AUTHORITY (DAWASA)
DRAWN BY		DATE	APRIL-2021	TITLE	TYPICAL DRAWINGS FOR PUBLIC TOILET TYPE 3 FOR BUS STAND & MARKETS AREAS	DATE		CONSULTANT	DOHWA Engineering Co., LTD IN ASSOCIATION WITH LUPTAN CONSULTS LTD AND WWS
CHECKED BY		DRAWING NO.	PT-TYPC-210		ELECTRICAL (LIGHTING, POWER, SCHEMATIC DIAGRAM & LEGEND)	NATURE OF REV.			
APPROVED BY						CHECKED BY			
SHEET NO:						APPROVED BY			






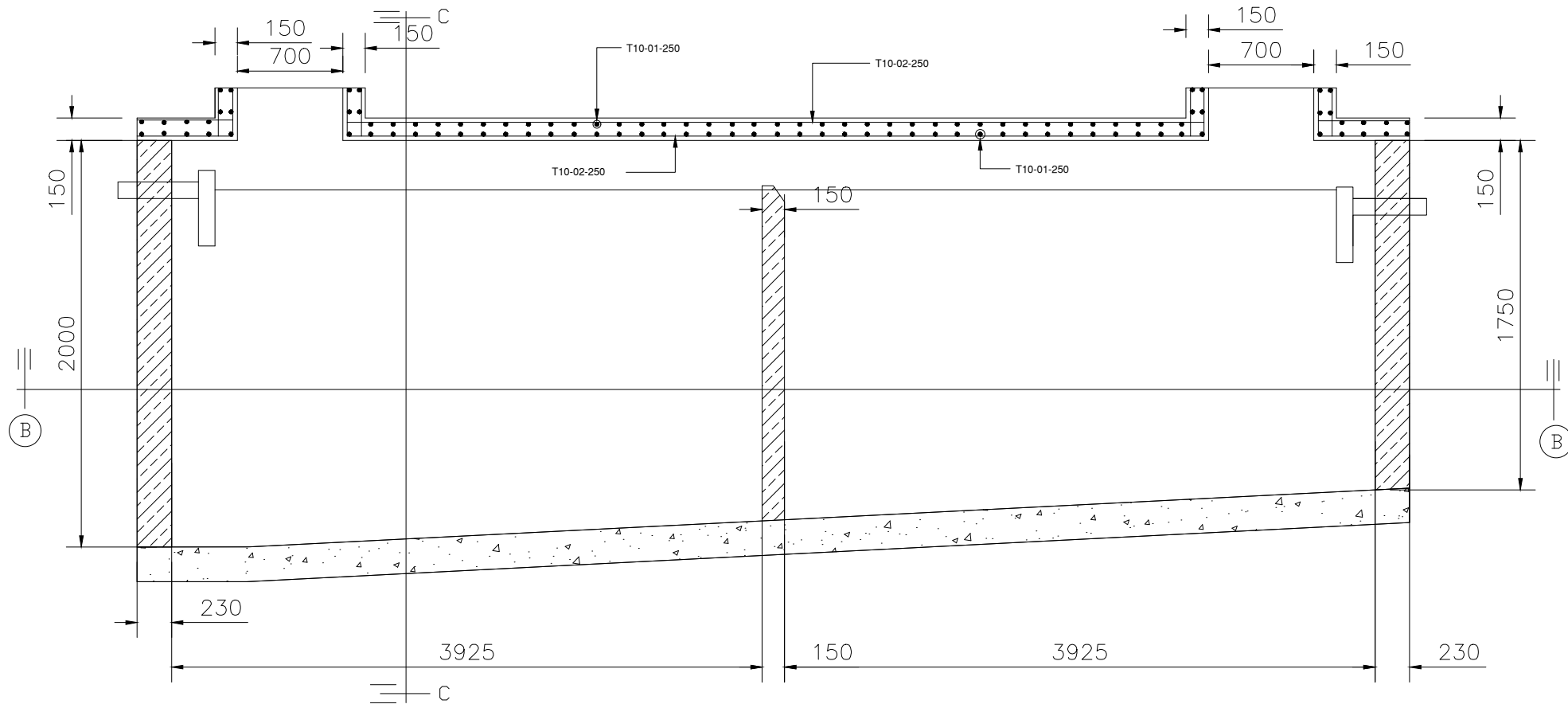


SECTION B-B  
SCALE 1:30

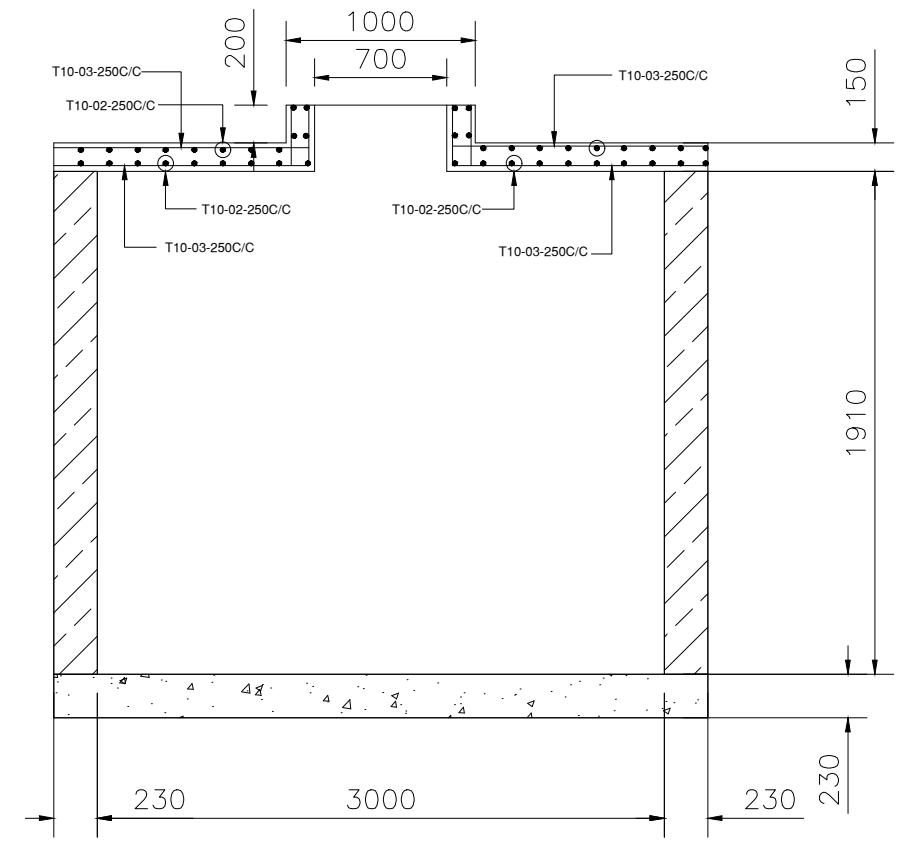


PLAN  
SCALE 1:30

DESIGN BY		SCALE	1:40	PROJECT	PROVISION OF FACILITATION AND TECHNICAL SERVICES FOR CREATION OF ESSENTIAL FRAMEWORK CONDITIONS, CAPACITY BUILDING, PREPARATION OF DETAILED ENGINEERING DESIGNS AND BIDDING DOCUMENTS, AND CONSTRUCTION SUPERVISION OF THE OFF-GRID SANITATION WORKS IN DAR ES SALAAM	REVISION		CLIENT	 <b>DAR ES SALAAM WATER SUPPLY &amp; SANITATION AUTHORITY (DAWASA)</b> CONSULTANT		
DRAWN BY						DATE		NATURE OF REV.			DOHWA Engineering CO., LTD IN ASSOCIATION WITH LUPTAN CONSULTS LTD AND WWS
CHECKED BY						APPROVED BY		APPROVED BY			 
SHEET NO:		DRAWING NO.	PT-CDPT-403	TITLE	TYPICAL DRAWINGS FOR PUBLIC TOILET TYPE 3 FOR BUS STAND AREAS SEPTIC TANK GENERAL ARRANGEMENT DETAILS FOR PUBLIC TOILETS						



SECTION A-A  
SCALE 1:40



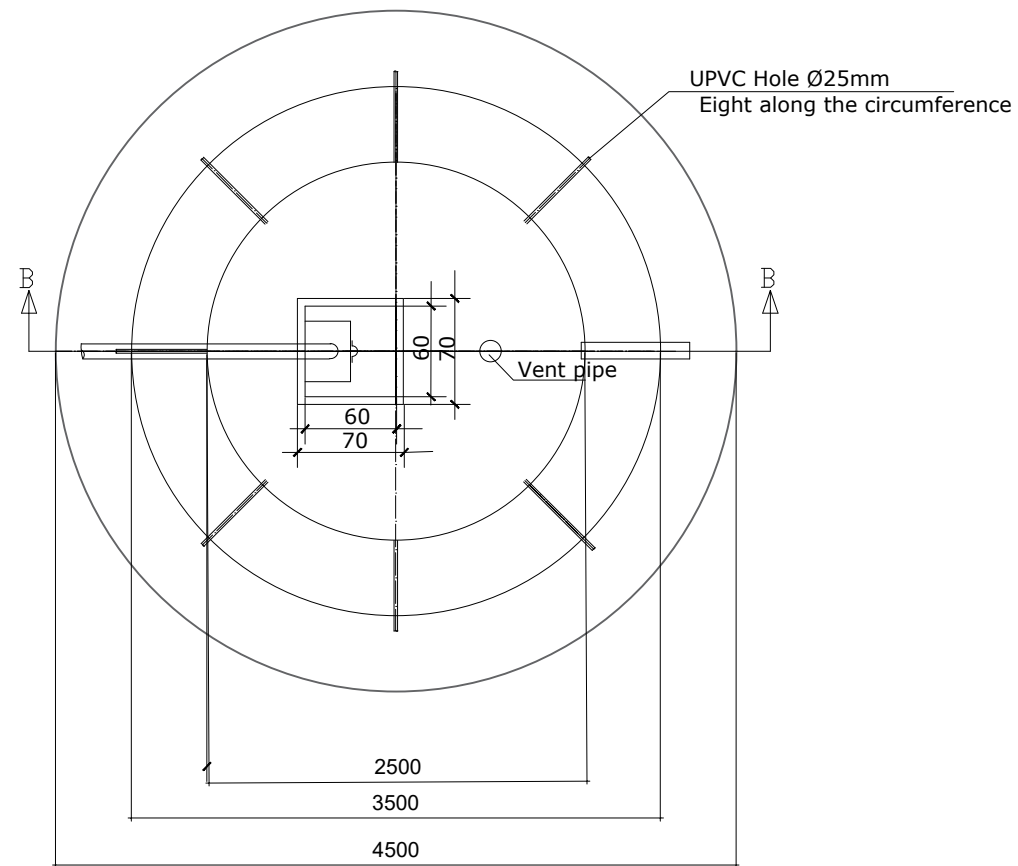
SECTION C-C  
SCALE 1:40

DESIGN BY		SCALE	1:40	PROJECT	PROVISION OF FACILITATION AND TECHNICAL SERVICES FOR CREATION OF ESSENTIAL FRAMEWORK CONDITIONS, CAPACITY BUILDING, PREPARATION OF DETAILED ENGINEERING DESIGNS AND BIDDING DOCUMENTS, AND CONSTRUCTION SUPERVISION OF THE OFF-GRID SANITATION WORKS IN DAR ES SALAAM	REVISION		CLIENT	DAR ES SALAAM WATER SUPPLY & SANITATION AUTHORITY (DAWASA)
DRAWN BY				TITLE	TYPICAL DRAWINGS FOR PUBLIC TOILET TYPE 3 FOR BUS STAND AREAS	DATE	MAY-2021	CONSULTANT	DOHWA Engineering CO., LTD IN ASSOCIATION WITH LUPTAN CONSULTS LTD AND WWS
CHECKED BY					SEPTIC TANK SECTIONS AND REINFORCEMENTS DETAILS FOR PUBLIC TOILETS	NATURE OF REV.			
APPROVED BY		DATE	APRIL-2021			CHECKED BY			
SHEET NO:		DRAWING NO.	PT-CDPT-404			APPROVED BY			



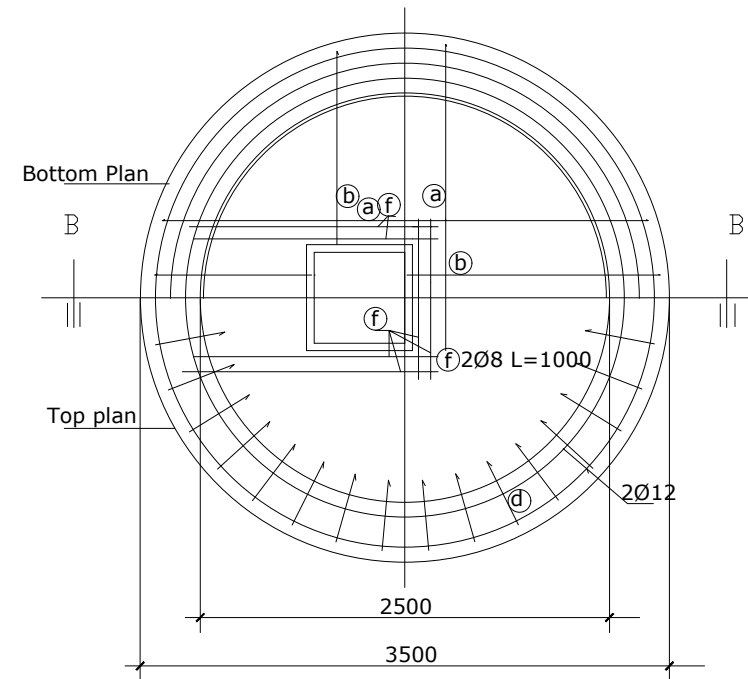
**SOAKAWAY PIT-1 PLAN**

Sc.1:25



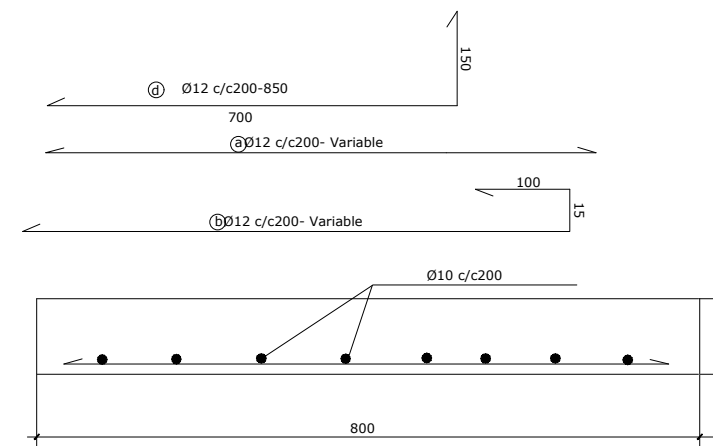
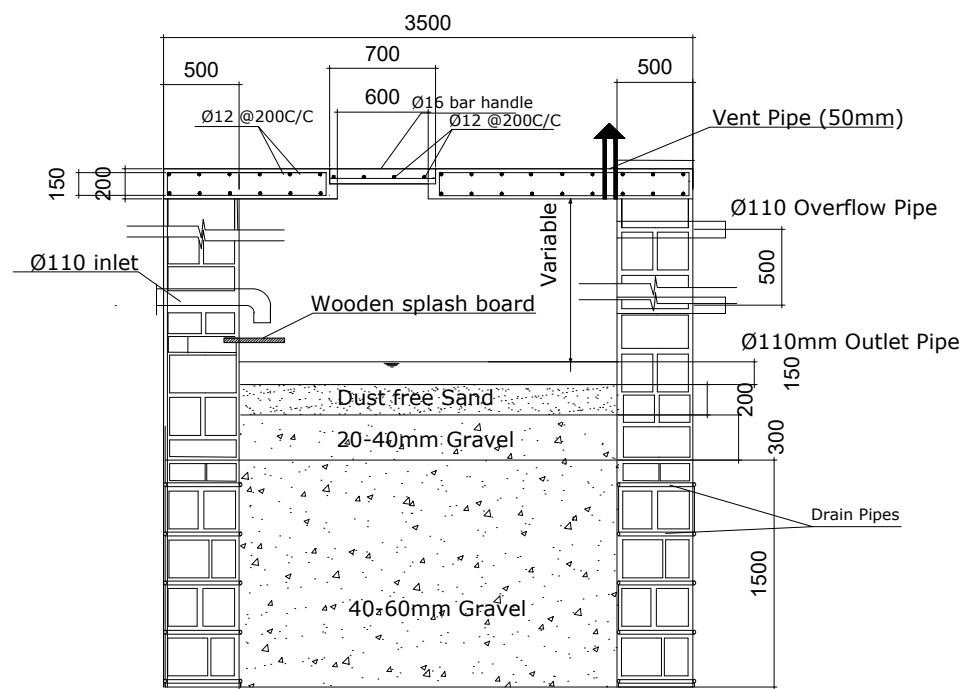
**SOAKAWAY PIT**

Sc.1:25



**SECTION B-B**

Sc.1:25



**Cover Slab (RC)**

SCALE 1:10

DESIGN BY		SCALE	1:50
DRAWN BY			
CHECKED BY			
APPROVED BY		DATE	APRIL-2021
SHEET NO:		DRAWING NO.	PT-CDPT-405

PROJECT	PROVISION OF FACILITATION AND TECHNICAL SERVICES FOR CREATION OF ESSENTIAL FRAMEWORK CONDITIONS, CAPACITY BUILDING, PREPARATION OF DETAILED ENGINEERING DESIGNS AND BIDDING DOCUMENTS, AND CONSTRUCTION SUPERVISION OF THE OFF-GRID SANITATION WORKS IN DAR ES SALAAM
TITLE	TYPICAL DRAWINGS FOR PUBLIC TOILET TYPE 3 FOR BUS STAND AREAS SOAKAWAY PIT GENERAL ARRANGEMENT, SECTIONS & REINFORCEMENTS DETAILS FOR PUBLIC TOILETS

REVISION	
DATE	
NATURE OF REV.	
CHECKED BY	
APPROVED BY	

CLIENT	DAR ES SALAAM WATER SUPPLY & SANITATION AUTHORITY (DAWASA)
CONSULTANT	DOHWA Engineering CO., LTD IN ASSOCIATION WITH LUPTAN CONSULTS LTD AND WWS



**Appendix VI: Tanzania waste water quality standards**

**FIRST SCHEDULE**

*(Made under Regulation 8)*

**PERMISSIBLE LIMITS FOR MUNICIPAL AND INDUSTRIAL EFFLUENTS**

<b>Table A: Physical Components</b>		
<b>Parameter</b>	<b>Limit</b>	<b>Test Method</b>
BOD <sub>5</sub> at 20 °C	30 mg/l	TZS 861(Part 3):2006 – Five-day BOD Method
COD	60 mg/l	TZS 861(Part 4):2006 – Dichromate Digestion Method
Colour	300 TCU	ISO 7887: 1994, Water quality – Examination and determination of colour – Section 3: Determination of true colour using optical instruments
pH range	6.5-8.5	TZS 861(Part 2):2006 – Electrometric Method
Temperature range	20-35°C	See Annex A
Total Suspended Solids (TSS)	100 mg/l	TZS 861(Part 1):2006 – Gravimetric Method
Turbidity	300 NTU	APHA Standard Methods:2130 B. Nephelometric Method

<b>Table B: Inorganic Components</b>		
<b>Parameter</b>	<b>Limit (mg/l)</b>	<b>Test Method</b>
Aluminium (as Al)	2.0	TZS 861(Part 7):2006 – Direct Nitrous Oxide-Acetylene Flame Atomic Absorption Spectrometry
Arsenic (As)	0.2	TZS 861(Part 8):2006 – Manual hydride Generation- Atomic Absorption Spectrometry
Barium (Ba)	1.5	TZS 861(Part 7):2006 – Direct Nitrous Oxide-Acetylene Flame Atomic Absorption Spectrometry
Cadmium (Cd)	0.1	TZS 861(Part 7):2006 – Flame Atomic Absorption Spectrometry

Chromium (total)	1.0	TZS 861(Part 7):2006 – Flame Atomic Absorption Spectrometry
Chromium VI	0.1	TZS 861(Part 9):2006 – Colorimetric Method
Chlorides (Cl <sup>-</sup> )	200	APHA Standard Methods: 4110 B. Ion Chromatography with Chemical Suppression of Eluant Conductivity
Cobalt (Co)	1.0	TZS 861(Part 7):2006 – Flame Atomic Absorption Spectrometry
Copper (Cu)	2.0	TZS 861(Part 7):2006 - Flame Atomic Absorption Spectrometry
Fluorides (F <sup>-</sup> )	8	APHA Standard Methods: 4110 B. Ion Chromatography with Chemical Suppression of Eluant Conductivity
Iron	5.0	TZS 861(Part 7):2006 – Flame Atomic Absorption Spectrometry
Lead (Pb)	0.1	TZS 861(Part 7):2006 – Flame Atomic Absorption Spectrometry
Manganese	5.0	TZS 861(Part 7):2006 – Flame Atomic Absorption Spectrometry
Mercury (Hg)	0.005	TZS 861(Part 10):2006 – Cold-Vapor Atomic Absorption Spectrometry
Nickel (Ni)	0.5	TZS 861(Part 7):2006 – Flame Atomic Absorption Spectrometry
Nitrates (NO <sub>3</sub> <sup>-</sup> )	20	APHA Standard Methods: 4110 B. Ion Chromatography with Chemical Suppression of Eluant Conductivity
Phosphorus Total (as P)	6	TZS 861(Part 6):2006 – Colorimetric-Ascorbic Acid Method
Selenium (Se)	1.0	TZS 861(Part 8):2006 – Manual hydride Generation- Atomic Absorption Spectrometry
Silver (Ag)	0.1	ISO 15586: 2003, Water quality – Determination of trace elements using atomic absorption spectrometer with graphite furnace
Sulphate (SO <sub>4</sub> <sup>2-</sup> )	500	APHA Standard Methods: 4110 B. Ion Chromatography with Chemical Suppression of Eluant Conductivity
Sulphides (S <sup>-</sup> )	1	APHA Standard Methods: 4110 B. Ion Chromatography with Chemical Suppression of Eluant Conductivity
Tin (Sn)	2.0	TZS 861(Part 7):2006 – Flame Atomic Absorption Spectrometry
Total Kjeldahl Nitrogen (as N)	15	TZS 861(Part 5):2006 – Kjeldahl Method

Vanadium	1.0	ISO 15586: 2003, Water quality – Determination of trace elements using atomic absorption spectrometer with graphite furnace
Zinc (Zn)	5.0	TZS 861(Part 7):2006 – Flame Atomic Absorption Spectrometry

**Table C: Organic Components**

Parameter	Limit (mg/l)	Test Method
1, 1, 2 -Trichloroethane	0.06	GC ECD (ISO 10301: 1997, Water quality – Determination of highly volatile halogenated hydrocarbons – Gas chromatographic methods.)
1,1,1 - Trichloroethane	3.0	GC ECD (ISO 10301: 1997, Water quality – Determination of highly volatile halogenated hydrocarbons – Gas chromatographic methods.)
1,2 - Dichloroethylene	0 . 2	GC ECD (ISO 10301: 1997, Water quality – Determination of highly volatile halogenated hydrocarbons – Gas chromatographic methods.)
1,2 - Dichloroethane	0.04	GC ECD (ISO 10301: 1997, Water quality – Determination of highly volatile halogenated hydrocarbons – Gas chromatographic methods.)
1,3 - Dichloropropene	0.2	GC ECD (ISO 10301: 1997, Water quality – Determination of highly volatile halogenated hydrocarbons – Gas chromatographic methods.)
Alkyl benzene sulfonate (ABS)	0.5	ISO 7875 – 1: 1996, Determination of surfactants – Pat 1: Determination of anionic surfactants by measurement of the methylene blue index (MBAS)
Aromatic nitrogen containing compounds (e.g., aromatic amines)	0.001	APHA Standard Methods 6410: Liquid-liquid extraction GC/MS method
<i>cis</i> -1, 2 - Dichloroethylene	0.4	GC ECD (ISO 10301: 1997, Water quality – Determination of highly volatile halogenated hydrocarbons – Gas chromatographic methods.)

Dichloromethane	0.2	GC ECD (ISO 10301: 1997, Water quality – Determination of highly volatile halogenated hydrocarbons – Gas chromatographic methods.)
Oil and Grease (fatty maters and hydrocarbons)	10	APHA Standard methods 5520
Organochlorine pesticides (Cl)	0.0005	GC ECD (ISO 6468: 1996, Water quality – Determination of certain organochlorine insecticides, polychlorinated biphenyls and chlorobenzenes – Gas Chromatographic method after Liquid-Liquid extraction)
Other aromatic and/or aliphatic hydrocarbons not used as pesticides	0.05	GC ECD (ISO 6468: 1996, Water quality – Determination of certain organochlorine insecticides, polychlorinated biphenyls and chlorobenzenes – Gas Chromatographic method after Liquid-Liquid extraction)
Pesticides other than organochlorines	0.01	GC ECD (ISO 6468: 1996, Water quality – Determination of certain organochlorine insecticides, polychlorinated biphenyls and chlorobenzenes – Gas Chromatographic method after Liquid-Liquid extraction)
Phenols	0.002	GC ECD (ISO 6468: 1996, Water quality – Determination of certain organochlorine insecticides, polychlorinated biphenyls and chlorobenzenes – Gas Chromatographic method after Liquid-Liquid extraction)
Tetrachloroethylene	0.1	GC ECD (ISO 10301: 1997, Water quality – Determination of highly volatile halogenated hydrocarbons – Gas chromatographic methods.)
Tetrachloromethane	0.02	GC ECD (ISO 10301: 1997, Water quality – Determination of highly volatile halogenated hydrocarbons – Gas chromatographic methods.)
Trichloroethylene	0.3	GC ECD (ISO 10301: 1997, Water quality – Determination of highly volatile halogenated hydrocarbons – Gas chromatographic methods.)

<b>Table D: Microbiological Components</b>		
<b>Parameter</b>	<b>Limit</b>	<b>Test Method</b>
Total Coliform Organisms	10,000counts /100mL	ISO 6222:1999, Microbiological methods

**SECOND SCHEDULE**

*(Made under Regulation 10)*

**SPECIFIC TOLERANCES FOR EFFLUENTS OF CHROME TANNING INDUSTRY**

<b>Characteristics</b>	<b>Tolerance Limit</b>	<b>Method of test</b>
Chlorides as Cl, mg/l, <i>max.</i>	1000	TZS 94: 1989 (Part 3)
Biochemical oxygen demand for 5 days at 20°C, mg/l <i>max.</i>	30	TZS 94: 1980 (Part 1) Clause 11
Hexavalent chromium as (Cr), mg/l, <i>max.</i>	0.1	TZS 94: 1989 (Part 2)
pH	5.5 - 9.0	TZS 94: 1980 (part 1) Clause 8

**Appendix VII: Non-Technical reports**

THE UNITED REPUBLIC OF TANZANIA



MINISTRY OF WATER



**Dar es Salaam Water Supply & Sanitation Authority**

DAWASA Building, Dunga/Malaga Street, Mwananyamala Area

P. O. Box 1573, Dar es Salaam. TANZANIA.

Tel. +25522276006/15; Fax: +255222762480; E-mail: dawasaceo@dawasa.co.tz

**Comprehensive Project Brief for the Proposed Public Toilet to be Built at  
Kigamboni Mtaa, Kigamboni ward, Kigamboni District, Dar es Salaam  
Region**

**NON-TECHNICAL SUMMARY**  
(English and Kiswahili Versions)

**Submitted to:**

**National Environment Management Council,**

Head Office, Kambarage Tower, 6<sup>th</sup> Floor, P. O. Box 2724, Dodoma.

Phone: +255 262960098, 0713608930,

Email Address: [nemcdg@nemc.or.tz](mailto:nemcdg@nemc.or.tz)

Website: [www.nemc.or.tz](http://www.nemc.or.tz)

**Lead Consultant:**

**Prof. Rubhera RAM Mato (PhD), CEng. (T), Reg. EIA Expert**

Mobile: +255754898592; E-Mail: rubheramato@gmail.com

**7<sup>th</sup> December 2022**

## NON-TECHNICAL SUMMARY

### Comprehensive Project Brief for the Proposed Public Toilet to be Built at Kigamboni Mtaa, Kigamboni ward, Kigamboni District, Dar es Salaam Region

**Proponent:** Dar es Salaam Water Supply and Sanitation Authority

**Proponent's Contact:** DAWASA,  
DAWASA Building, Dunga/Malaga Street, Mwananyamala Area  
P. O. Box 1573, Dar es Salaam. TANZANIA.  
Tel. +25522276006/15; Fax: +255222762480;  
E-mail: [dawasaceo@dawasa.co.tz](mailto:dawasaceo@dawasa.co.tz)

**EIA Expert:** Prof. Rubhera RAM Mato (PhD), CEng. (T), Reg. EIA Expert  
P. O BOX 35478, Dar es Salaam, Tanzania  
Mobile: +255754898592  
E-Mail: [rubheramato@gmail.com](mailto:rubheramato@gmail.com)

## INTRODUCTION

The Government of the United Republic of Tanzania (GoT) through the Dar es Salaam Water and Sewerage Authority (DAWASA) under the Ministry of Water intends to implement an Off Grid Sanitation Project (OGSP) in Dar es Salaam City to serve peri-urban areas not connected to the central sewerage system. DAWASA has received financing from the International Development Association (IDA) in the form of a credit to implement the project. Prior to implementing the project, the law in Tanzania requires an Environmental Impact Assessment to be conducted and approved by relevant authority. In order to comply with the law in Tanzania, the DAWASA intends to apply a portion of the proceeds of the credit to eligible payments for consulting services for Preparation of Environmental and Social Impact Assessment (ESIA) and Resettlement Action Plan (RAP) Report for construction of off grid sanitation projects. The Off-Grid project is intended to address these challenges. The Off-Grid project is divided into several subprojects which will be implemented in the five municipalities of Dar es Salaam City. One of these is the Construction of a Public Toilet at Kigamboni Mtaa, Kigamboni Municipality. The toilet will mostly serve the people who are using

market for business (Traders and their customers), food vendors (Mamantilie) and passersby.

The proposed project concerns construction of an engineered sanitary depository for sewage (night soil) for public use at Kigamboni Mtaa, Kigamboni ward, Kigamboni Municipality. The nature of the project enhances environmental protection through proper handling and disposal of domestic sewage. According to First Schedule of the EIA and Audit Regulations (Amended) of 2018, the nature of the project is small and entails no significant impacts. The project can be categorised as Type B2, which according to the regulations are “small-scale activities and enterprises that require registration but shall not require Environmental Impact Assessment. Further, the projects shall not require screening and scoping, rather, the Project Brief shall be examined and issued with an Environmental Impact Assessment Certificate”.

### **POLICY, LEGAL AND INSTITUTIONAL FRAMEWORK**

Tanzania is committed to attaining sustainable development goals. This urge is envisaged in the National Environmental Policy and other sectoral policies including;

- National Environment Policy, 2021
- National Land Policy of 1997
- Construction Industry Policy (2003)
- National Health Policy (2003)
- National Gender Policy of 2000
- National Human Settlements Development Policy (2000)

Important laws and regulations that have relevance to road development in respect of environmental management include;

- Environmental Management Act (2004)
- The Environmental Management (Fees and Charges) Regulations, 2021
- The Environmental Management (Control of hazardous Waste) regulations, 2021
- The Environmental Management (Control of Noise and vibration) regulations, 2015

- The Environmental Management (Prohibition of Plastic Carrier bags) regulations, 2019
- The Environmental Management (Solid Waste Management) regulations, 2007
- The Environmental Management (Water Quality) regulations, 2009
- The Environmental Management (Air Quality) regulations, 2009
- The Environmental Management (Soil Quality) regulations, 2009
- Occupational Health and Safety Act 2003
- The Water Supply and Sanitation Act No. 12 of 2009
- Engineers Registration Act and its Amendments 1997 and 2007
- The Contractors Registration (Amendment) Act, 2008
- The Architects and Quantity Surveyors Act (1997)
- The Urban Planning Act (2007)
- Public Health Act (2009)
- World Bank guidelines for Environmental Management

## **PROJECT DESCRIPTION**

The main land use at the proposed project site includes; commuter bus parking, small business activities taking the advantage of the influx of people disembarking commuter buses.

The major construction activities for the sub-projects include;

- **Site Clearance:** The contractor shall clear the construction areas within the site of all boulders, natural obstructions, rubbish and any other natural or artificial obstructions, which would interfere with construction of buildings, roads, paths and drains.
- **Excavation:** Excavations for foundations and the reinforced concrete structure shall be to the widths, depth and levels to accommodate the structure shown on the drawings. Working space has been allowed for in the measurement of excavation quantities given in these Bills of Quantities in accordance with the rules of measurement laid down elsewhere in these Bills, namely 1.00 metre from the face of any work which requires formwork over 1m deep below the starting level of excavation, and 0.30 metre from face of any work which requires formwork not exceeding 1-metre-deep below starting level of excavation.

- Filling: The fill shall be clean, selected coarse sand or gravel. It should be taken from borrow pits if the soil on the site is found to contain too much fines and to have too low plasticity limit to be used as fill.
- Soil Sterilization: Anti-termite treatment is to be carried out by an approved specialist firm who will be required, upon completion of the soil sterilization, to furnish a written qualifying guarantee which includes; the chemicals applied comply with the requirements and concentration, the treatment will remain effective against termite infestation for a period of five years as well as free re-treatment by the firm of any areas showing signs of infestation before the expiry of the five-year period.
- Disposal of surplus excavated material: Surplus excavated material will be carted away from the vicinity of the walls and deposited, spread and levelled on areas to be allocated by the Structural Engineer, reasonably adjacent to the site.
- Concrete work:
- Steel fixing and Formwork preparation:

## **PROJECT ENVIRONMENT**

### ***Project site***

The project site is located at approximately 1.3km away from Kigamboni Ferry in Kigamboni Municipality within Dar es Salaam Region.

The site area lies in the tropical coastal bely of Tanzania and is influenced by two major climatic seasons, namely rainfall and temperature. Rainfall pattern is that of bimodal type with erratic conventional rains. The monsoon rains occurring almost throughout the Municipality between December and February, While the long heavy rains in the period from March to June, the amount of rainfall received ranges from 800-1200mm per annum. Temperature just like rainfall is also influenced by ocean. High temperature prevails throughout the year ranging from 25<sup>0</sup>C during the period of June to August up to 35<sup>0</sup>C in the period of January to March.

### ***Water sources***

Groundwater is abundant in almost the entire Dar es salaam City. This is because of the sea level rise. The major direct impacts of sea-level rise include inundation of low-

lying areas, loss of coastal wetlands, increased rates of shoreline erosion, saltwater intrusion and increased salinity in estuaries and coastal aquifers, and higher water tables and higher extreme water levels leading to coastal flooding (Nicholls et al., 2007; Bicknell et al., 2009).

### ***Air quality and Noise level***

The air quality observations indicate that the general air quality in the project area is good as there is no any strange activity contributing to air pollution. However, seasonal variation as well as localized and temporal deterioration in air quality does occur.

On the other hand, noise level at the project area is mainly due to moving vehicle along the road, moving air (wind) or rain and birds. Project activities during construction will change patterns and amplitude of noise in the project area.

### ***Vegetation***

The proposed project site is characterized with no any vegetation at the vicinity of the project site.

## **PROJECT STAKEHOLDERS AND INVOLVEMENT**

A simple methodology was adopted to identify key stakeholders and main environmental and social concerns. This involved physical observations and consultations (direct consultations). Other information on the project was obtained through a desk study.

During the conduction of this study, different stakeholders were consulted. Among these include the Kigamboni Municipal Council and community at Kigamboni ward. During the meeting, the consultant gave a brief explanation on the proposed public toilet.

## **POTENTIAL SIGNIFICANT ENVIRONMENTAL AND SOCIAL IMPACTS**

The impacts are categorized into Mobilization phase impacts, Construction phase impacts, and Operational phase impacts. The main receptors of impacts associated with the anticipated Construction of a Public Toilet at Kigamboni Mtaa, Kigamboni ward in Kigamboni Municipality include physical resources (groundwater quality, soils,

air quality, and noise); ecological resources (vegetation); material assets, public health, and safety, aesthetics, and landscape.

The following impacts were identified to be likely to occur during Mobilization Phase

- Employment opportunities
- Noise pollution
- Air Pollution from dust emission

The following impacts were identified to be likely to occur during Construction Phase

- Employment opportunities
- Improved living conditions and economic growth
- Improved public health
- Increased socio-cultural interaction
- Increased Revenue to the nation through taxes, both direct and indirect
- Increased HIV/AIDS and other sexual related diseases:
- Destruction and infringement of properties
- Noise pollution
- Air Pollution from dust emission
- Potential communicable diseases transmission
- Smells and flies in toilets
- High Risk of Health associated with construction work
- Waste generation during construction
- Groundwater contamination from soil sterilization

The following impacts were identified to be likely to occur during Operation Phase

- Improved social-economic livelihood and dignity within the beneficiary society
- Increased Revenue to the nation through taxes, both direct and indirect
- Smells and flies in toilets

### **PREVENTION AND MANAGEMENT OF ACCIDENTS DURING IMPLEMENTATION STAGE**

The project shall be implemented in compliance to labour laws in Tanzania, in particular, the Occupational Health and Safety Act (2003). Clauses to protect the health and safety of workers shall be included in the contract documents for

implementation stage which includes the following; provision and enforcement of the use of appropriate personal protective equipment for all workers e.g. overalls, gloves, masks, etc. (wherever required), presence of the emergency preparedness plan in place prior to commencement of construction activities as well as ensuring security matter of the site by fencing the whole project area and provide gates for entrance and exit purpose.

### **MITIGATION MEASURES AND ENVIRONMENTAL AND SOCIAL MANAGEMENT PLAN (ESMP)**

The options to minimize or prevent the identified adverse social and environmental impacts as well as a monitoring plan have been suggested in this report and are contained in the ESMP. Many of them are based on good engineering practices and the timely responsiveness of the responsible institution. The ESMP describes the implementation schedule of the proposed mitigation measures as well as planning for long-term monitoring activities. It defines the roles and responsibilities of different actors of the plan. The Approach environmental and social costs amount to TSH 38,000,000 (Excluding the costs that will appear in then (BOQ) and resettlement exercise. The estimated annual costs for carrying out the proposed environmental and social motoring program amounts to TSH 24,000,000.

### **CONCLUSION**

It is, therefore, concluded that implementation of the proposed construction of public toilets at Kigamboni Mtaa, Kigamboni ward in Kigamboni Municipality is not located in Environmental sensitive area and will entail no detrimental impacts provided that the recommended mitigation measures are adequately and timely put in place. The identified adverse impacts shall be managed through the proposed mitigation measures and implementation regime laid down in this EIS. DAWASA is committed to implementing all the recommendations given in the EIS and further carrying out the environmental auditing and monitoring schedules.

### **MUHTASARI USIOKUWA WA KITAALAMU**

**Muhtasari wa Mradi wa Choo cha Umma Kinachopendekezwa kujengwa katika Mtaa wa Kigamboni, Kata ya Kigamboni, Wilaya ya Kigamboni, Mkoa wa Dar es Salaam.**

**Mmiliki:** Mamlaka ya Majisafi na Usafi wa Mazingira Dar es Salaam

**Mawasiliano ya Mmiliki:** DAWASA,

DAWASA Building, Dunga/Malaga Street, Mwananyamala Area

S.L.P 1573, Dar es Salaam. TANZANIA.

Simu :. +25522276006/15; Fax: +255222762480;

Barua Pepe: [dawasaceo@dawasa.co.tz](mailto:dawasaceo@dawasa.co.tz)

**Mshauri Muelekezi:** Prof. Rubhera RAM Mato (PhD), CEng. (T), Reg. EIA Expert

S.L.P 35478, Dar es Salaam, Tanzania

Simu: +255754898592

Barua Pepe: [rubheramato@gmail.com](mailto:rubheramato@gmail.com)

**UTANGULIZI**

SERIKALI ya Jamhuri ya Muungano wa Tanzania (GoT) kupitia Mamlaka ya Majisafi na Majitaka Dar es Salaam (DAWASA) chini ya Wizara ya Maji inatarajia kutekeleza Mradi wa Usafi wa Mazingira wa Nje (OGSP) katika Jiji la Dar es Salaam ili kuhudumia maeneo ya pembezoni mwa miji. haijaunganishwa na mfumo mkuu wa maji taka. DAWASA imepata ufadhili kutoka kwa Jumuiya ya Maendeleo ya Kimataifa (IDA) ikiwa ni mkopo wa kutekeleza mradi huo. Kabla ya kutekeleza mradi huo, sheria nchini Tanzania inataka Tathmini ya Athari kwa Mazingira ifanywe na kuidhinishwa na mamlaka husika. Ili kuzingatia sheria nchini Tanzania, DAWASA inatarajia kutumia sehemu ya mapato ya mikopo kwa malipo stahiki kwa ajili ya huduma za ushauri kwa ajili ya Maandalizi ya Tathmini ya Athari kwa Mazingira na Kijamii (TAM) na Ripoti ya Mpango Kazi wa Makazi Mapya (RAP) kwa ajili ya ujenzi. ya miradi ya usafi wa mazingira nje ya gridi ya taifa.

Mradi huu unakusudiwa kutatua changamoto hizi. Mradi wa Off-Grid umegawanywa katika miradi midogo kadhaa ambayo itatekelezwa katika manispaa tano za Jiji la Dar es Salaam. Mojawapo ni Ujenzi wa Choo cha Umma katika Mtaa wa Kigamboni, Manispaa ya Kigamboni. Choo hicho kitahudumia zaidi watu wanaotumia soko kwa biashara (Wafanyabiashara na wateja wao), wauzaji wa vyakula (Mamantilie) na wapita njia.

**SERA, MFUMO WA SHERIA NA TAASISI**

Tanzania imejitolea kufikia malengo ya maendeleo endelevu. Msukumo huu unazingatiwa katika Sera ya Taifa ya Mazingira na sera nyingine za kisékta zikiwemo;

- Sera ya Kitaifa ya Mazingira, 2021
- Sera ya Taifa ya Ardhi ya mwaka 1997
- Sera ya Sekta ya Ujenzi (2003)
- Sera ya Taifa ya Afya (2003)
- Sera ya Taifa ya Jinsia ya 2000
- Sera ya Taifa ya Maendeleo ya Makazi (2000)

Sheria na kanuni muhimu ambazo zina umuhimu kwa maendeleo ya barabara kuhusiana na usimamizi wa mazingira ni pamoja na;

- Sheria ya Usimamizi wa Mazingira (2004)
- Kanuni za Usimamizi wa Mazingira (Ada na Ada) za 2021
- Kanuni za Usimamizi wa Mazingira (Udhibiti wa Taka hatarishi), 2021
- Kanuni za Usimamizi wa Mazingira (Udhibiti wa Kelele na Mtetemo), 2015
- Kanuni za Usimamizi wa Mazingira (Marufuku ya Mifuko ya Kubeba Plastiki), za 2019
- Kanuni za Usimamizi wa Mazingira (Udhibiti wa Taka Ngumu), 2007
- Kanuni za Usimamizi wa Mazingira (Ubora wa Maji), 2009
- Kanuni za Usimamizi wa Mazingira (Ubora wa Hewa), 2009
- Kanuni za Usimamizi wa Mazingira (Ubora wa Udongo), 2009
- Sheria ya Afya na Usalama Kazini ya 2003
- Sheria ya Ugavi wa Maji na Usafi wa Mazingira Na. 12 ya 2009
- Sheria ya Usajili wa Wahandisi na Marekebisho yake ya 1997 na 2007
- Sheria ya Usajili wa Makandarasi (Marekebisho) ya mwaka 2008
- Sheria ya Wabunifu na Wakadiriaji Majenzi (1997)
- Sheria ya Mipango Miji (2007)
- Sheria ya Afya ya Umma (2009)
- Miongozo ya Benki ya Dunia ya Usimamizi wa Mazingira

### **MAELEZO YA MRADI**

Matumizi makuu ya ardhi katika eneo la mradi unaopendekezwa ni pamoja na; maegesho ya mabasi ya abiria, shughuli za biashara ndogo ndogo zinazotumia fursa ya wingi wa watu wanaoshuka kwenye mabasi ya abiria.

Shughuli kuu za ujenzi wa miradi midogo ni pamoja na;

- **Usafishaji wa Maeneo:** Mkandarasi atasafisha maeneo ya ujenzi ndani ya tovuti ya mawe yote, vizuizi vya asili, takataka na vizuizi vyovyote vya asili au vya bandia, ambavyo vitaingilia ujenzi wa majengo, barabara, njia na mifereji ya maji.
- **Uchimbaji:** Uchimbaji wa misingi na muundo wa saruji iliyoimarishwa utakuwa wa upana, kina na ngazi ili kuzingatia muundo ulioonyeshwa kwenye michoro. Nafasi ya kufanyia kazi imeruhusiwa kwa ajili ya kupima kiasi cha uchimbaji kilichotolewa katika Miswada hii ya Viwango kwa mujibu wa kanuni za kipimo zilizowekwa mahali pengine katika Miswada hii, yaani mita 1.00 kutoka eneo la kazi yoyote ambayo inahitaji uundaji wa kina cha zaidi ya mita 1 chini ya mwanzo. kiwango cha uchimbaji, na mita 0.30 kutoka uso wa kazi yoyote ambayo inahitaji formwork isiyozidi mita 1-kina chini ya ngazi ya kuanzia ya uchimbaji.
- **Kujaza kifusi:** Kifusi kiitakuwa safi, mchanga mgumu uliochaguliwa au changarawe. Inapaswa kuchukuliwa kutoka kwa mashimo ya kukopa ikiwa udongo kwenye tovuti unapatikana kuwa na faini nyingi na kuwa na kikomo cha chini cha plastiki kutumika kama kujaza.
- **Utunzaji wa Udongo:** Matibabu ya kuzuia mchwa yatafanywa na kampuni ya kitaalam iliyoidhinishwa ambayo itahitajika, baada ya kukamilika kwa kufungia udongo, kutoa hati ya maandishi ya kuhitimu ambayo inajumuisha; kemikali zinazotumika zinakidhi mahitaji na mkusanyiko, matibabu yatabaki kuwa na ufanisi dhidi ya wadudu wa mchwa kwa muda wa miaka mitano na pia matibabu ya bure na kampuni ya maeneo yoyote yanayoonyesha dalili za kushambuliwa kabla ya kumalizika kwa kipindi cha miaka mitano. .
- Utupaji wa ziada ya kifusi zilizochimbwa: kifusi kilichoimbwa zaidi zitatolewa kutoka karibu na kuta na kuwekwa, kutawanywa na kusawazishwa kwenye maeneo yatakayotengwa na Mhandisi wa Miundo, karibu na tovuti.
- Kazi ya zege:
- Ufungaji wa chuma na Foroma

## MAZINGIRA YA MRADI

### Eneo la mradi

Eneo la mradi lipo Kata ya Kigamboni, Manispaa ya Kigamboni ndani ya Mkoa wa Dar es Salaam. Eneo lipo Kilomita 9.5 kutoka katikati ya jiji la Dar es Salaam kupitia barabara ya Kilwa.

Eneo la tovuti liko katika ukanda wa pwani wa kitropiki wa Tanzania na huathiriwa na misimu miwili mikuu ya hali ya hewa, ambayo ni mvua na joto. Mpangilio wa mvua ni ule wa aina mbili na mvua za kawaida zisizo na uhakika. Mvua za masika zinazonyesha karibu katika Manispaa nzima kati ya Desemba na Februari, Wakati mvua kubwa za muda mrefu katika kipindi cha Machi hadi Juni, kiasi cha mvua zilizopatikana ni kati ya Milimita 800-1200 kwa mwaka. Halijoto kama vile mvua pia huathiriwa na bahari. Joto la juu hutawala mwaka mzima kuanzia nyuzijoto 25<sup>0</sup>C katika kipindi cha Juni hadi Agosti hadi Nyuzi joto 35<sup>0</sup>C katika kipindi cha Januari hadi Machi.

### **Vyanzo vya maji**

Maji ya chini ya ardhi ni mengi karibu katika Jiji zima la Dar es salaam. Hii ni kwa sababu ya kupanda kwa usawa wa bahari. Madhara makubwa ya moja kwa moja ya kupanda kwa kina cha bahari ni pamoja na mafuriko ya maeneo ya tambarare, upotevu wa ardhiioevu ya pwani, viwango vya kuongezeka kwa mmomonyoko wa ufuo, kuingiliwa na maji ya chumvi na kuongezeka kwa chumvi kwenye mito na vyanzo vya maji ya pwani, na viwango vya juu vya maji na viwango vya juu vya maji vilivyokithiri. mafuriko ya pwani (Nicholls et al., 2007; Bicknell et al., 2009).

### **Ubora wa hewa na kiwango cha Kelele**

Uchunguzi wa ubora wa hewa unaonyesha kuwa hali ya hewa kwa ujumla katika eneo la mradi ni nzuri kwani hakuna shughuli yoyote ya ajabu inayochangia uchafuzi wa hewa. Hata hivyo, mabadiliko ya msimu pamoja na kuzorota kwa hali ya hewa ya ndani na ya muda hutokea.

Kwa upande mwingine, kiwango cha kelele katika eneo la mradi ni hasa kutokana na kusonga gari kando ya barabara, kusonga hewa (upepo) au mvua na ndege. Shughuli za mradi wakati wa ujenzi zitabadilisha mwelekeo na amplitude ya kelele katika eneo la mradi.

### **Mimea**

Eneo la mradi linalopendekezwa lina sifa ya kutokuwa na uoto wowote karibu na eneo la mradi.

### **WADAU WA MRADI NA USHIRIKISHI**

Mbinu rahisi ilipitishwa ili kubainisha washikadau wakuu na maswala makuu ya kimazingira na kijamii. Hii ilihusisha uchunguzi wa kimwili na mashauriano (mashauriano ya moja kwa moja). Taarifa nyingine kuhusu mradi huo zilipatikana kupitia utafiti wa dawati.

Wakati wa kufanya utafiti huu, wadau mbalimbali walishauriwa. Miongoni mwao ni pamoja na Halmashauri ya Manispaa ya Kigamboni na jumuiya katika mtaa wa Kigamboni. Katika mkutano huo, mshauri huyo alitoa maelezo mafupi kuhusu pendekezo la choo cha umma.

### **ATHARI MUHIMU ZINAZOWEZEKANA KWA MAZINGIRA NA KIJAMII**

Athari zimeainishwa katika athari za awamu ya Uhamasishaji, athari za awamu ya Ujenzi, na athari za awamu ya Uendeshaji. Vipokezi vikuu vya athari zinazohusiana na Ujenzi unaotarajiwa wa Choo cha Umma katika Mtaa wa Kigamboni, Kata ya Kigamboni katika Manispaa ya Kigamboni ni pamoja na rasilimali asili (ubora wa maji chini ya ardhi, udongo, ubora wa hewa na kelele); rasilimali za kiikolojia (mimea); mali, afya ya umma, na usalama, aesthetics, na mazingira.

Athari zifuatazo zilitambuliwa kuwa zinaweza kutokea wakati wa Awamu ya Uhamasishaji

- Fursa za ajira
- Uchafuzi wa kelele
- Uchafuzi wa Hewa kutokana na uchafuzi wa vumbi

Athari zifuatazo zilitambuliwa kuwa zinaweza kutokea wakati wa Awamu ya Ujenzi

- Fursa za ajira
- Kuboresha hali ya maisha na ukuaji wa uchumi
- Kuboresha afya ya umma
- Kuongezeka kwa mwingiliano wa kijamii na kitamaduni
- Ongezeko la Mapato kwa taifa kupitia kodi, za moja kwa moja na zisizo za moja kwa moja
- Kuongezeka kwa VVU/UKIMWI na magonjwa mengine yanayohusiana na ngono:

- Uharibifu na ukiukaji wa mali
- Uchafuzi wa kelele
- Uchafuzi wa Hewa kutokana na uchafuzi wa vumbi
- Uwezekano wa maambukizi ya magonjwa ya kuambukiza
- Hunuka na nzi kwenye vyoo
- Hatari kubwa ya Afya inayohusishwa na kazi ya ujenzi
- Uzalishaji wa taka wakati wa ujenzi
- Uchafuzi wa maji chini ya ardhi kutokana na kufungia udongo

Athari zifuatazo zilibainishwa kuwa zinaweza kutokea wakati wa Awamu ya Operesheni

- Kuboresha maisha ya kijamii na kiuchumi na heshima ndani ya jamii inayofaidika
- Ongezeko la Mapato kwa taifa kupitia kodi, za moja kwa moja na zisizo za moja kwa moja
- Hunuka na nzi kwenye vyoo

#### **KINGA NA USIMAMIZI WA AJALI WAKATI WA HATUA YA UTEKELEZAJI**

Mradi utatekelezwa kwa kufuata sheria za kazi nchini Tanzania, hususan, Sheria ya Afya na Usalama Kazini (2003). Vifungu vya kulinda afya na usalama wa wafanyakazi vitajumuishwa katika hati za mkataba kwa hatua ya utekelezaji ambayo ni pamoja na yafuatayo; utoaji na utekelezaji wa matumizi ya vifaa vya kinga binafsi vinavyofaa kwa wafanyakazi wote k.m. ovaroli, glavu, barakoa, n.k. (popote inapohitajika), uwepo wa mpango wa maandalizi ya dharura uliowekwa kabla ya kuanza kwa shughuli za ujenzi na vile vile kuhakikisha usalama wa tovuti kwa kuzungushia uzio eneo lote la mradi na kutoa milango kwa madhumuni ya kuingilia na kutoka. .

#### **HATUA ZA KUPUNGUZA NA MPANGO WA USIMAMIZI WA MAZINGIRA NA KIJAMII (ESMP)**

Chaguzi za kupunguza au kuzuia athari mbaya za kijamii na kimazingira zilizotambuliwa pamoja na mpango wa ufuatiliaji zimependekezwa katika ripoti hii na zimo katika ESMP. Wengi wao ni msingi wa mazoea mazuri ya uhandisi na mwitikio wa wakati wa taasisi inayohusika. ESMP inaeleza ratiba ya utekelezaji wa mapendekezo ya hatua za kupunguza na pia kupanga shughuli za ufuatiliaji wa muda mrefu. Inafafanua majukumu na wajibu wa watendaji mbalimbali wa mpango.

Gharama za Mbinu za kimazingira na kijamii ni TSH 38,000,000 (Bila gharama zitakazoonekana katika bajeti ya ujenzi wa mradi) na zoezi la makazi mapya. Makisio ya gharama za kila mwaka za kufuatilia mapendekezo ya mpango wa kutunza mazingira na jamii ni TSH 24,000,000.

## **HITIMISHO**

Hivyo basi, imehitimishwa kuwa utekelezaji wa mapendekezo ya ujenzi wa vyoo vya umma katika Mtaa wa Kigamboni, kata ya Kigamboni katika Manispaa ya Kigamboni haupo katika eneo nyeti la Mazingira na hautaleta madhara yoyote iwapo tu hatua zinazopendekezwa za kupunguza madhara ni za kutosha. kuwekwa kwa wakati.. Athari mbaya zilizotambuliwa zitadhibitiwa kupitia hatua zilizopendekezwa za kupunguza na mfumo wa utekelezaji uliwekwa katika ripoti ya TAM. DAWASA imejitolea kutekeleza mapendekezo yote yaliyotolewa katika riport na kutekeleza zaidi ratiba za ukaguzi na ufuatiliaji wa mazingira.